

# Surface Raceway / Steel SMS3086

SnapMark™ Fittings  
Manufactured by MonoSystems, Inc.

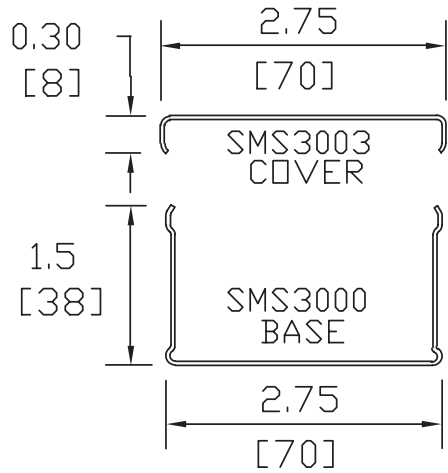
## PANEL CONNECTOR

### Assembly Instructions

- 1.) Position panel coupling through opening in panel (by others) so that embossed 6-32 holes are on the exterior. Slide SMS3000 base onto panel connector coupling and secure with two 6-32 x 1/4" pan head screws.
- 2.) Attach panel connector clip as shown on outside of panel box and secure in place using two 8-32 x 1/4" pan head screws.

Available in Standard Gray or Ivory (add "-I" suffix to specify Ivory).

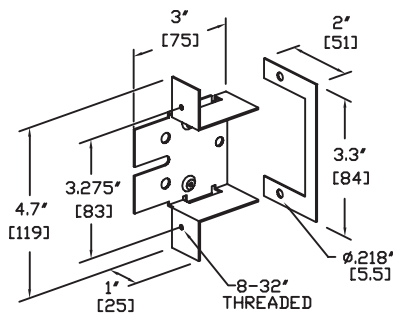
**Note:** Panel and panel modifications by others (similar for J-Box).



SMS3000 SERIES  
STEEL RACEWAY  
SECTION VIEW  
SCALE: NONE

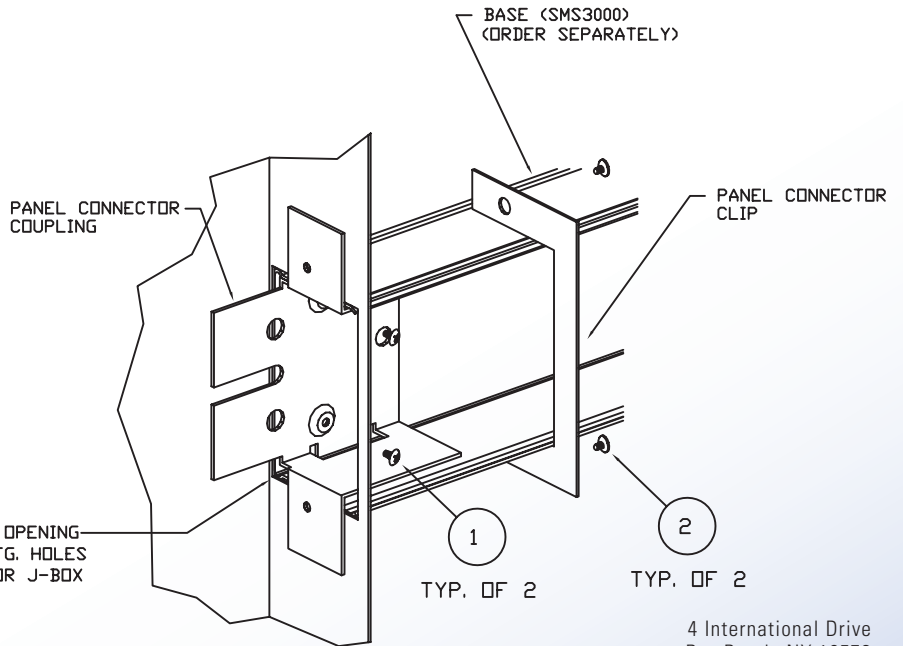
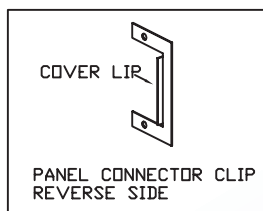


UL LISTED  
FILE: E167318



PANEL CONNECTOR (SMS3086)

FIELD CUT OPENING & DRILL MTG. HOLES IN PANEL OR J-BOX



4 International Drive  
Rye Brook, NY 10573  
Toll Free: 1 888.764.7681  
Phone: 914.934.2075  
Fax: 914.934.2190  
MonoSystems.com

