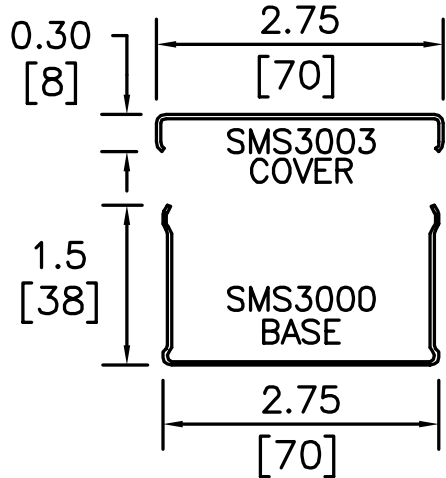


Surface Raceway / Steel SMS3074

SnapMark™ Fittings
Manufactured by MonoSystems, Inc.

TAKE OFF FITTING



**SMS3000 SERIES
STEEL RACEWAY
SECTION VIEW
SCALE: NONE**

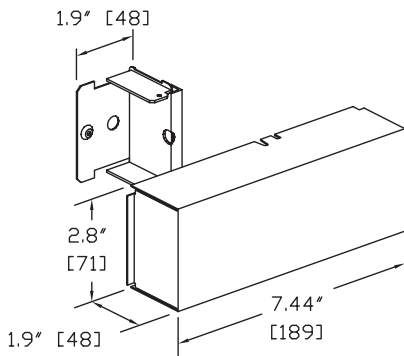
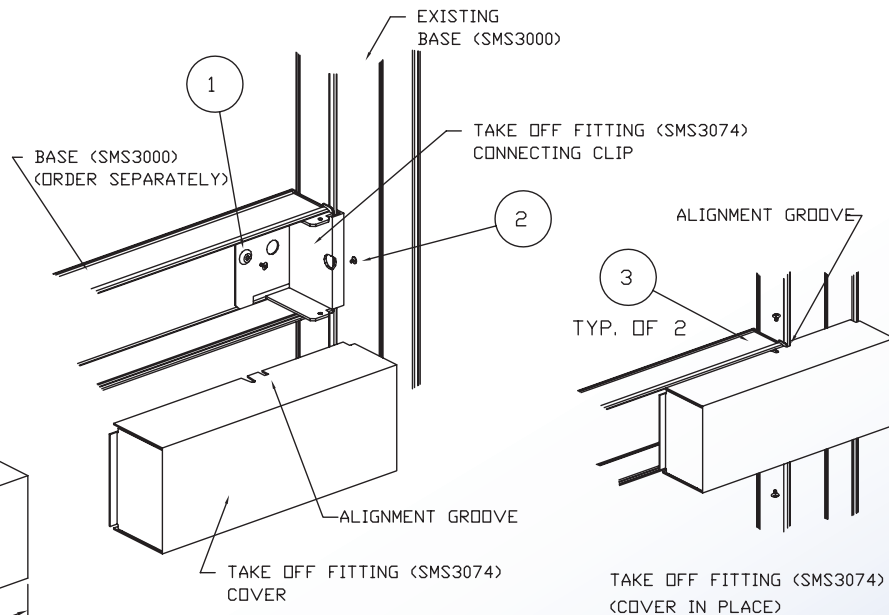
Assembly Instructions

- 1.) Insert connecting clip into end of SMS3000 base section to be joined. Secure in place using one 6-32 x 1/4" pan head screw.
- 2.) Slide lip of connecting clip over edge of existing perpendicular raceway and secure using one 6-32 x 1/4" pan head screw.
- 3.) Locate the SMS3074 cover over the adjoining raceways, ensuring that the alignment groove is positioned over the edge of the existing raceway. Secure in place using two 6-32 x 1/4" pan head screws.

Available in Standard Gray or Ivory (add "-I" suffix to specify Ivory).



UL LISTED
FILE: E167318



TAKE OFF FITTING (SMS3074)

4 International Drive
Rye Brook, NY 10573
Toll Free: 1 888.764.7681
Phone: 914.934.2075
Fax: 914.934.2190
MonoSystems.com

