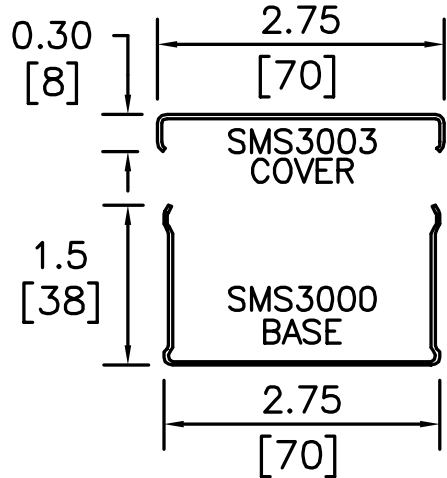


# Surface Raceway / Steel SMS3064

## SnapMark™ Accessories

Manufactured by MonoSystems, Inc.

### C – HANGER



**SMS3000 SERIES  
STEEL RACEWAY  
SECTION VIEW  
SCALE: NONE**

### Assembly Instructions

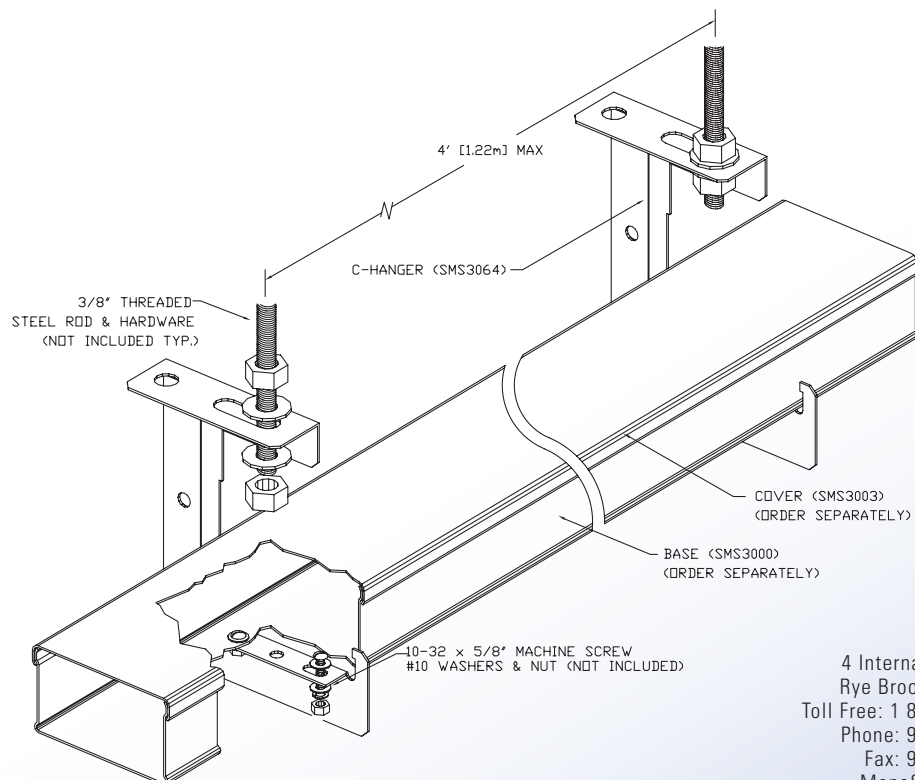
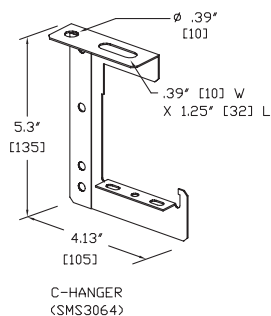
- 1.) Fasten C-Hangers to 3/8" threaded rod using 3/8" washers and nuts, hangers are to be installed @ 4' [122m] maximum centers.
- 2.) Fasten base sections to each C-Hanger using 2 10-32 x 5/8" machine screws with washers and nut.

**Note:** When using SMS3000 Series in suspended applications; rigid couplings must be used to join base sections. See SMS3002 – (rigid coupling) File name: SMS3002

**Load Information:** 30 LBS. / 10' Section @ 4" [122m] Maximum Centers.



UL LISTED  
FILE: E167318



4 International Drive  
Rye Brook, NY 10573  
Toll Free: 1 888.764.7681  
Phone: 914.934.2075  
Fax: 914.934.2190  
MonoSystems.com

