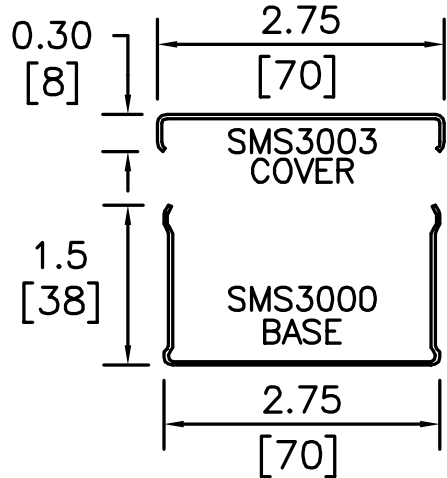


# Surface Raceway / Steel SMS3062

SnapMark™ Fittings  
Manufactured by MonoSystems, Inc.

## TWO GANG DEEP BOX



**SMS3000 SERIES  
STEEL RACEWAY  
SECTION VIEW  
SCALE: NONE**

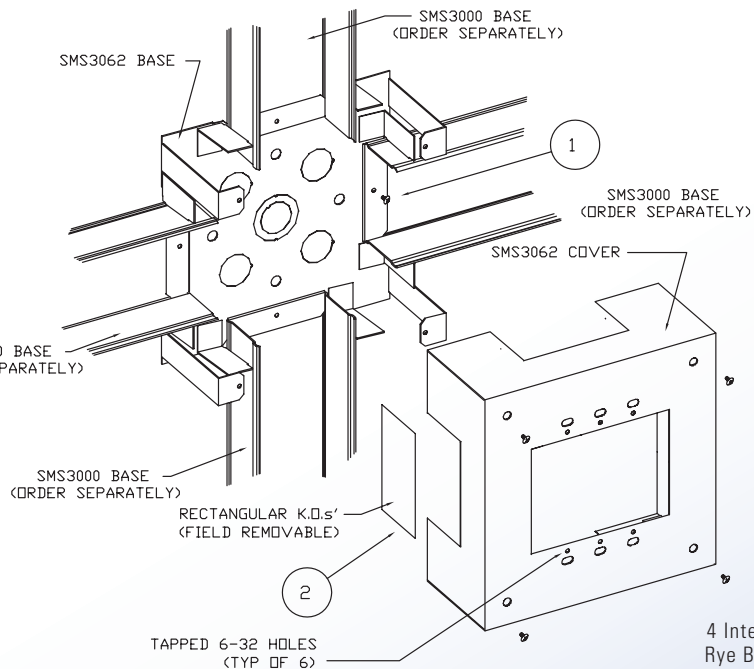
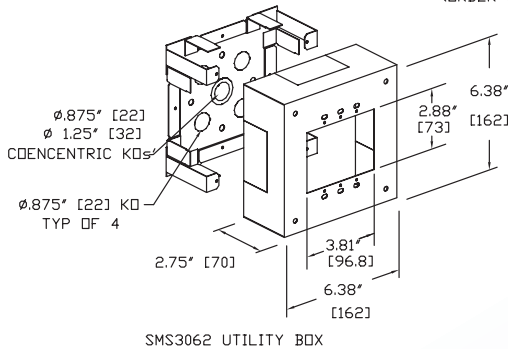
### Assembly Instructions

- 1.) Insert base section(s) under desired attachment tabs of the SMS3062. Secure base sections to the SMS3062 using 6-32 x 1/4" pan head screws.
- 2.) Remove appropriate rectangular K.O.s' and fasten SMS3062 cover using (4 Qty) 6-32 x 1/8" pan head screws.

Available in Standard Gray or Ivory (add "-I" suffix to specify Ivory).



UL LISTED  
FILE: E167318



4 International Drive  
Rye Brook, NY 10573  
Toll Free: 1 888.764.7681  
Phone: 914.934.2075  
Fax: 914.934.2190  
MonoSystems.com

