

Surface Raceway / Steel SMS3053

SnapMark™ Accessories

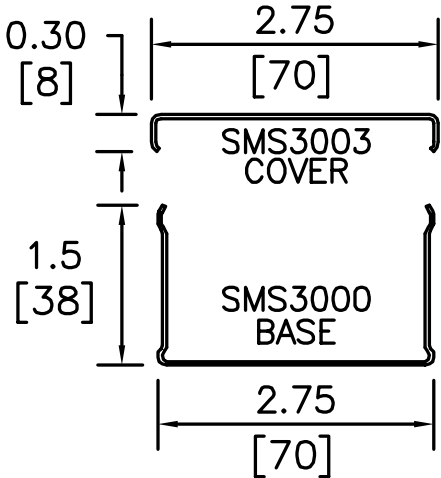
Manufactured by MonoSystems, Inc.

COVER PLATE

Assembly Instructions

- 1.) Insert leading edge of device bracket into an inner groove of the SMS3000 base section, at the desired location for the device.
- 2.) Using one 6-32 x 5/16" screw secure the device bracket to the base section.
- 3.) Terminate wiring per local codes.
- 4.) After device(s) are secured properly to the bracket, cover may be snapped over devices.

Device Bracket (SMS3022) and Blank Cover Plate with Knock Out (SMS3053).
Available in Standard Gray or Ivory (add "-I" suffix to specify Ivory).

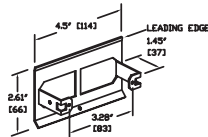


**SMS3000 SERIES
STEEL RACEWAY
SECTION VIEW
SCALE: NONE**

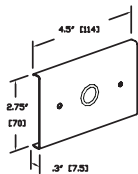


UL LISTED
FILE: E167318

DEVICE BRACKET (SMS3022)
BLANK COVER PLATE *W/ KNOCK OUT (SMS3053)
AVAILABLE IN STANDARD GRAY OR IVORY
(ADD *-I* SUFFIX TO SPECIFY IVORY)

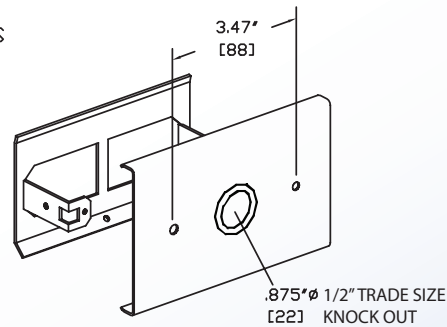
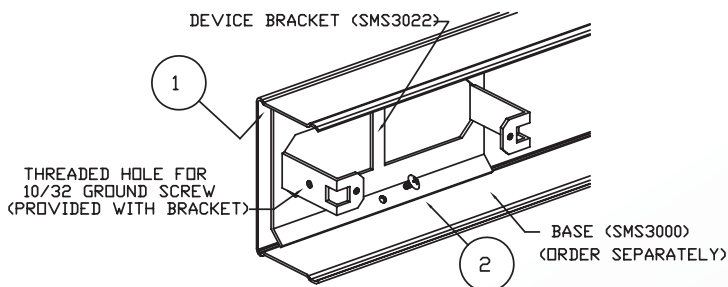


DEVICE BRACKET (SMS3022)
FURNISHED WITH ALL PLATES



(SMS3053 SHOWN)

STANDARD DIMENSIONS



BLANK COVER (SMS3053)
WITH KNOCK OUT

4 International Drive
Rye Brook, NY 10573
Toll Free: 1 888.764.7681
Phone: 914.934.2075
Fax: 914.934.2190
MonoSystems.com

