

Surface Raceway / Steel SMS3030

SnapMark™ Fittings

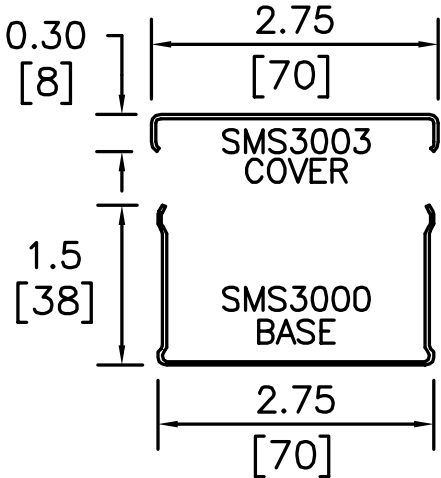
Manufactured by MonoSystems, Inc.

WALL BOX

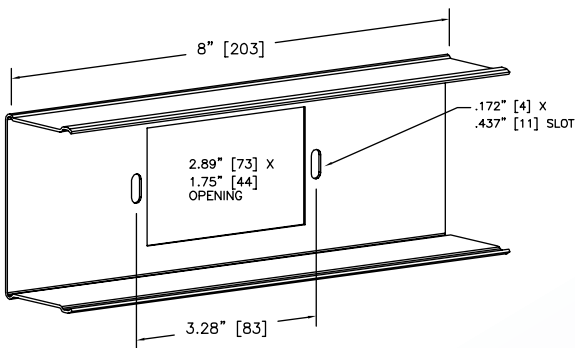
Assembly Instructions

- 1.) Pull wiring through opening of SMS3030 wall box.
- 2.) Secure wall box feed to wall box with two 6-32 oval head screws. (Supplied by others)
- 3.) Terminate and enclose all wiring per NEC and local codes.

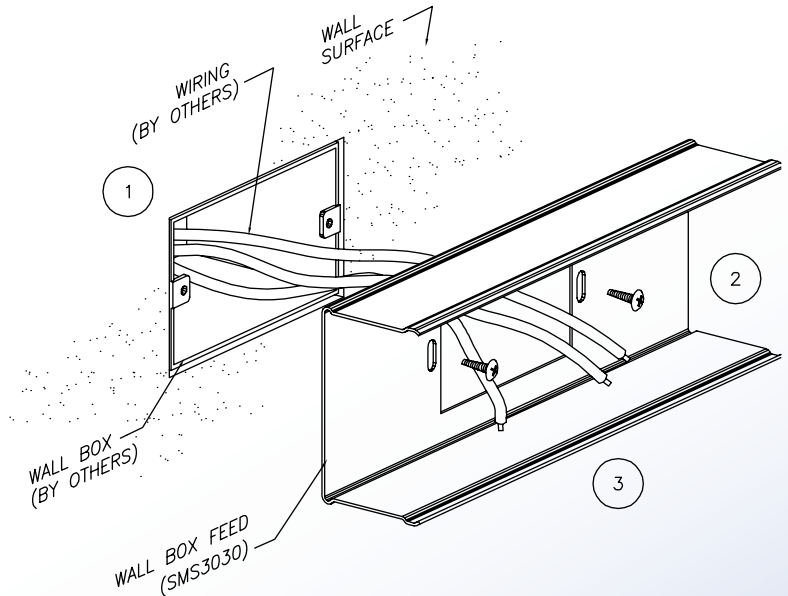
Available in Standard Gray or Ivory (add "-I" suffix to specify Ivory).



**SMS3000 SERIES
STEEL RACEWAY
SECTION VIEW
SCALE: NONE**



ORDER SPLICE CONNECTORS SEPARATELY
P/N: SMS3002
P/N: SMS3001 (FOR SUSPENDED APPLICATIONS)



4 International Drive
Rye Brook, NY 10573
Toll Free: 1 888.764.7681
Phone: 914.934.2075
Fax: 914.934.2190
MonoSystems.com

