

# Surface Raceway / Steel SMS3027

## SnapMark™ Accessories

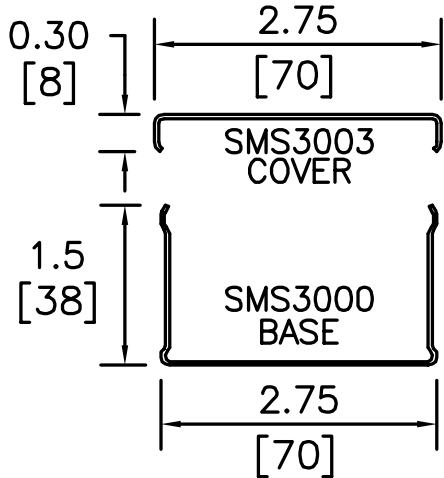
Manufactured by MonoSystems, Inc.

### COVER PLATE

#### Assembly Instructions

- 1.) Insert leading edge of device bracket into an inner groove of the SMS3000 base section, at the desired location for the device.
- 2.) Using one 6-32 x 5/16" screw secure the device bracket to the base section.
- 3.) Terminate wiring per local codes.
- 4.) After device(s) are secured properly to the bracket, cover may be snapped over devices.

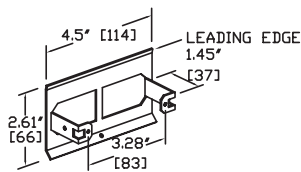
Available in Standard Gray or Ivory (add "-I" suffix to specify Ivory).



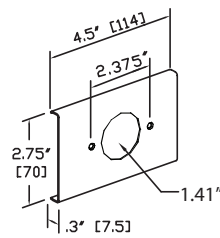
**SMS3000 SERIES  
STEEL RACEWAY  
SECTION VIEW  
SCALE: NONE**



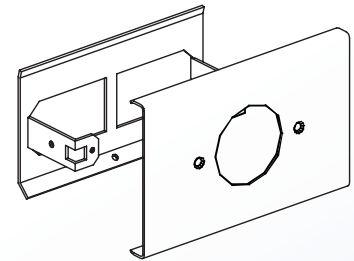
UL LISTED  
FILE: E167318



DEVICE BRACKET (SMS3022)  
FURNISHED WITH ALL PLATES

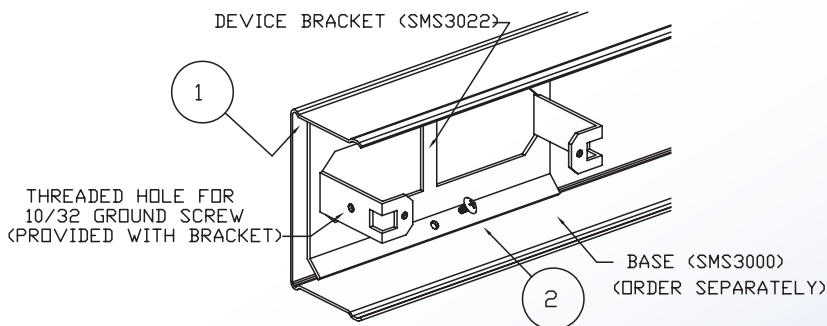


(SMS3027 SHOWN)



SINGLE ROUND RECEPTACLE 1.41"  
(SMS3027)

#### STANDARD DIMENSIONS



4 International Drive  
Rye Brook, NY 10573  
Toll Free: 1 888.764.7681  
Phone: 914.934.2075  
Fax: 914.934.2190  
MonoSystems.com

