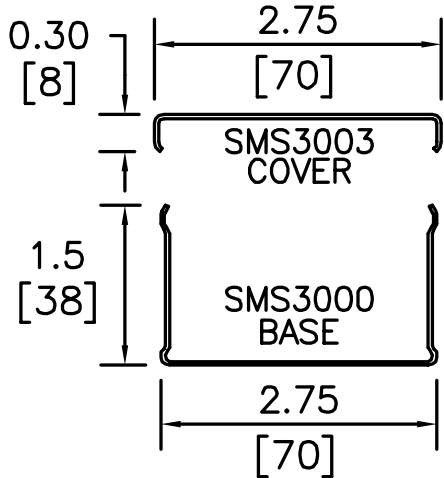


Surface Raceway / Steel SMS3018

SnapMark™ Fittings

Manufactured by MonoSystems, Inc.

90° EXTERNAL ELBOW



**SMS3000 SERIES
STEEL RACEWAY
SECTION VIEW
SCALE: NONE**

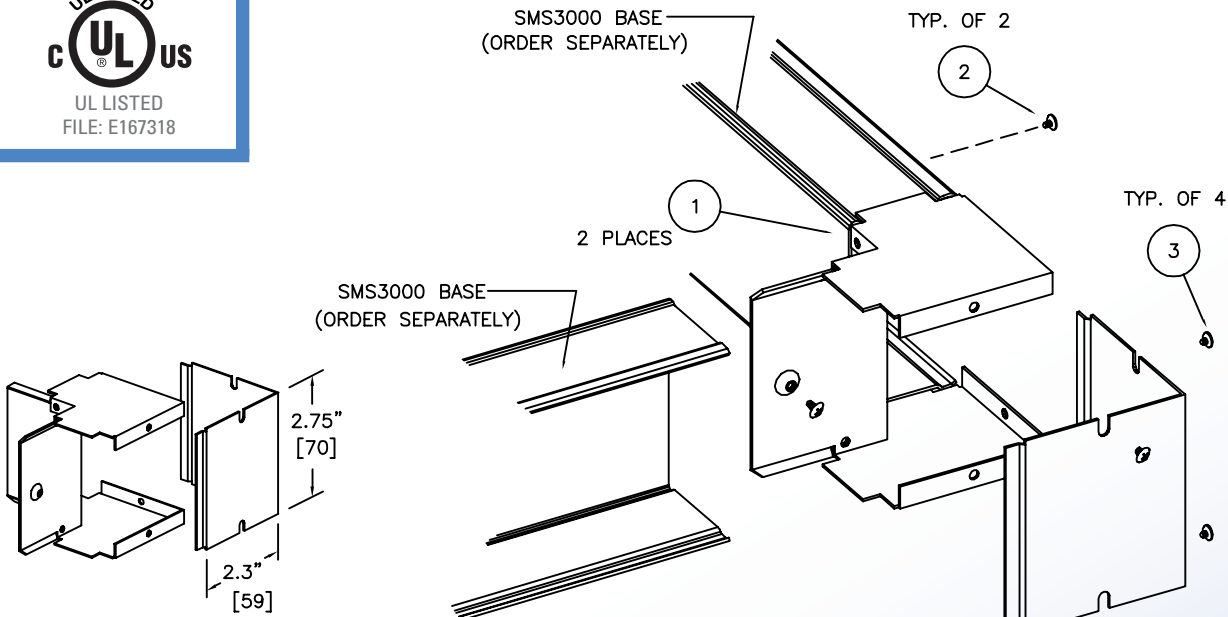
Assembly Instructions

- 1.) Insert external 90° elbow into ends of SMS3000 base sections.
- 2.) Secure elbow to base section using four 6-32 x 1/4" pan head screws.
- 3.) Secure elbow cover in place using four 6-32 x 1/8" pan head screws.

Available in Standard Gray or Ivory (add "-I" suffix to specify Ivory).



UL LISTED
FILE: E167318



**EXTERNAL 90° ELBOW
(SMS3018)**

4 International Drive
Rye Brook, NY 10573
Toll Free: 1 888.764.7681
Phone: 914.934.2075
Fax: 914.934.2190
MonoSystems.com

