

Surface Raceway / Steel SMS3010

SnapMark™ Fittings

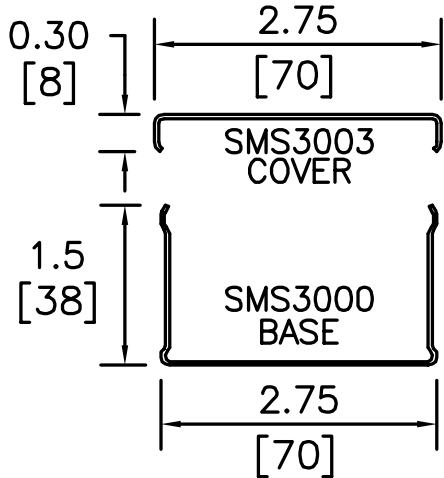
Manufactured by MonoSystems, Inc.

TEE

Assembly Instructions

- 1.) Slide tee coupling into desired end of SMS3000 base section.
- 2.) Secure tee to base using two 6-32 x 1/4" pan head screws.
- 3.) Using supplied couplings (SMS3202) secure tee to remaining base sections to be joined.
- 4.) Snap cover in place.

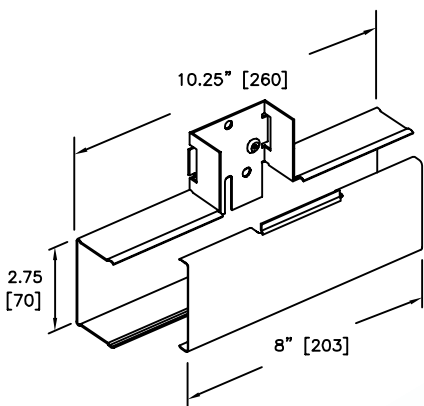
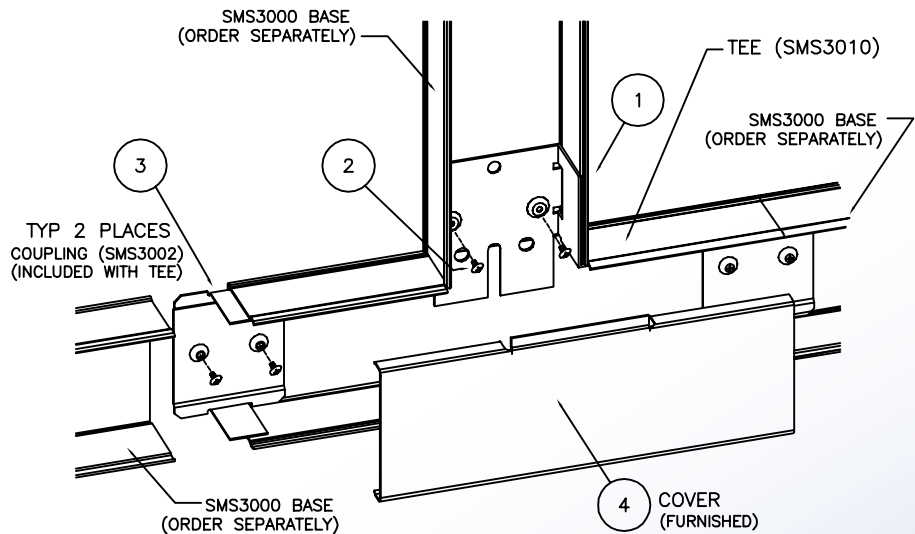
Available in Standard Gray or Ivory (add "-I" suffix to specify Ivory).



**SMS3000 SERIES
STEEL RACEWAY
SECTION VIEW
SCALE: NONE**



UL LISTED
FILE: E167318



TEE (SMS3010)

4 International Drive
Rye Brook, NY 10573
Toll Free: 1 888.764.7681
Phone: 914.934.2075
Fax: 914.934.2190
MonoSystems.com

