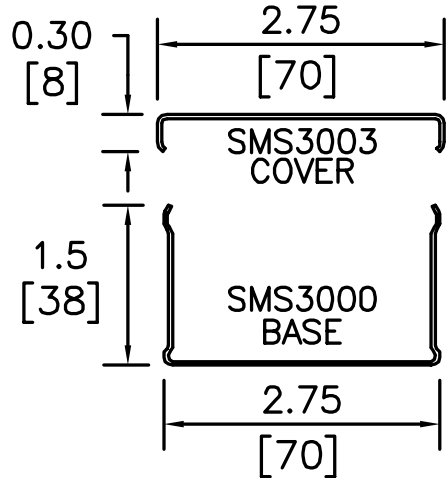


# Surface Raceway / Steel SMS3009

SnapMark™ Fittings  
Manufactured by MonoSystems, Inc.

## 90° FLAT ELBOW



SMS3000 SERIES  
STEEL RACEWAY  
SECTION VIEW  
SCALE: NONE

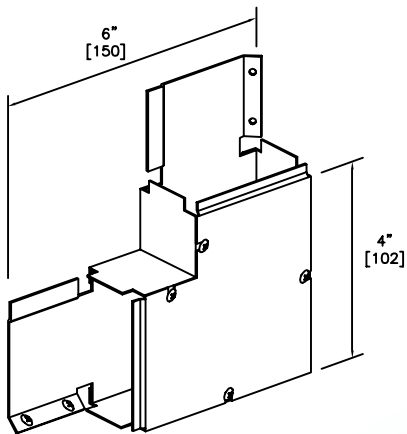
### Assembly Instructions

- 1.) Insert 90° flat elbow into ends of SMS3000 base sections.
- 2.) Secure elbow to base section using two 6-32 x 1/4" pan head screws.
- 3.) Four 6-32 x 1/8" pan head screws are used to secure cover to flat elbow.

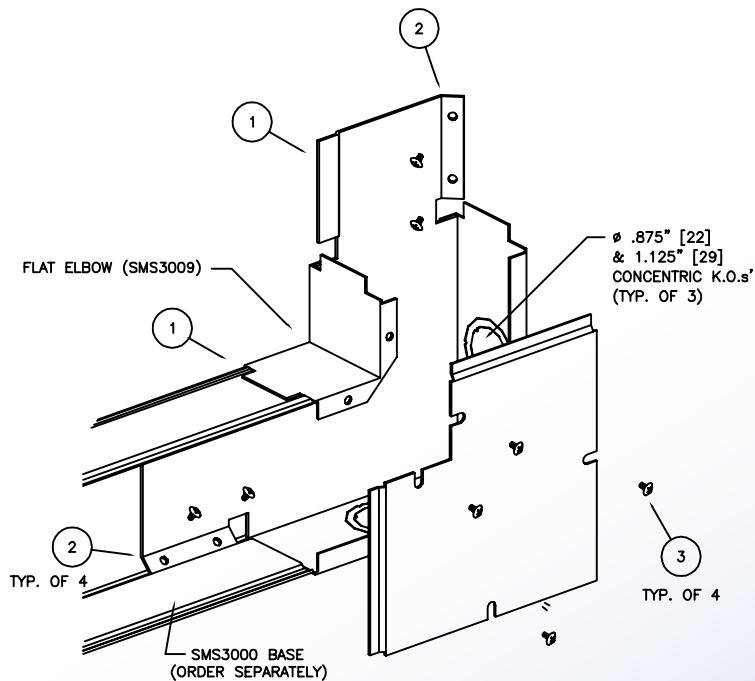
Available in Standard Gray or Ivory (add "-I" suffix to specify Ivory).



UL LISTED  
FILE: E167318



FLAT ELBOW (SMS3009)



4 International Drive  
Rye Brook, NY 10573  
Toll Free: 1 888.764.7681  
Phone: 914.934.2075  
Fax: 914.934.2190  
MonoSystems.com

