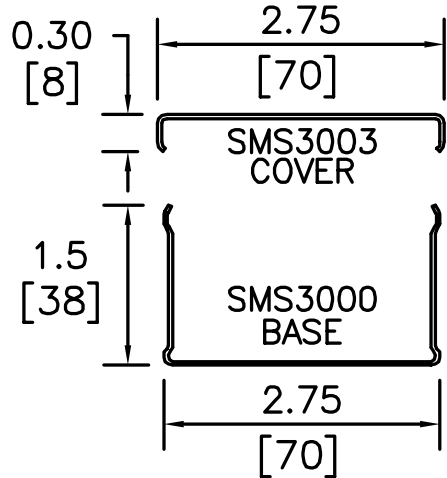


Surface Raceway / Steel SMS3008

SnapMark™ Accessories

Manufactured by MonoSystems, Inc.

SUPPORT CLIP



**SMS3000 SERIES
STEEL RACEWAY
SECTION VIEW
SCALE: NONE**

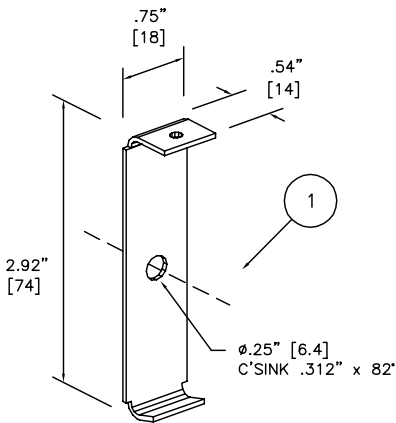
Assembly Instructions

- 1.) Locate support clip in desired location and secure into structural member using appropriate countersunk fastener (by others).
- 2.) Insert SMS3000 base section into support clip.
- 3.) Secure in place with 8-32 x 1/4" pan head screw through threaded hole.

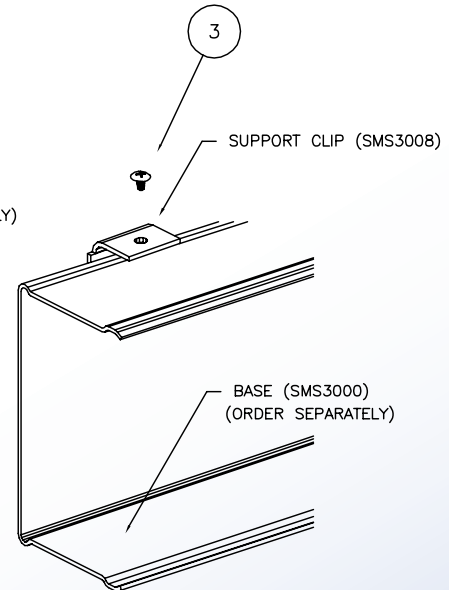
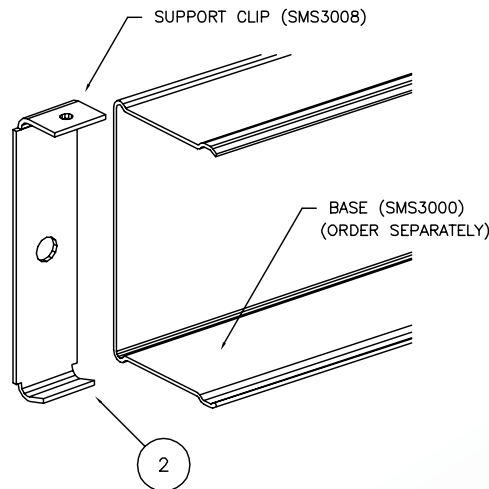
Available in Standard Gray or Ivory (add "-I" suffix to specify Ivory).



UL LISTED
FILE: E167318



SUPPORT CLIP (SMS3008)



4 International Drive
Rye Brook, NY 10573
Toll Free: 1 888.764.7681
Phone: 914.934.2075
Fax: 914.934.2190
MonoSystems.com

