

Surface Raceway / Steel SMS3007

SnapMark™ Accessories

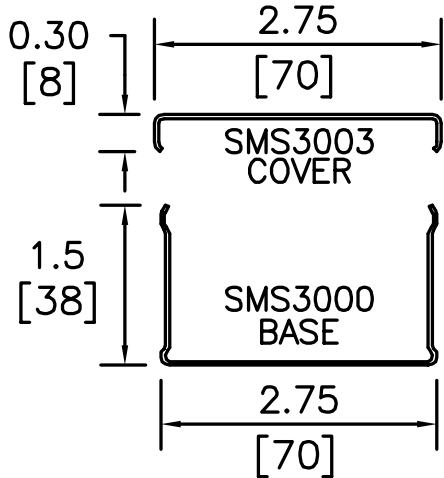
Manufactured by MonoSystems, Inc.

COVER CLIP

Assembly Instructions

1.) Position cover clip over gaps between adjoining cover sections, and snap into place.

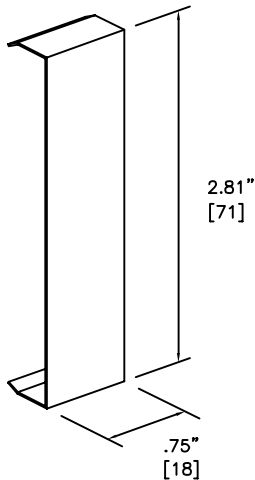
Available in Standard Gray or Ivory (add “-I” suffix to specify Ivory).



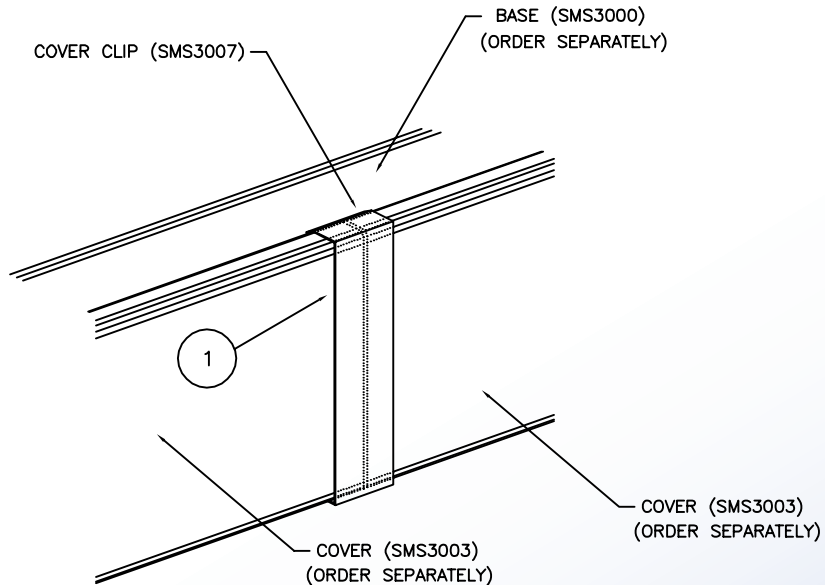
**SMS3000 SERIES
STEEL RACEWAY
SECTION VIEW
SCALE: NONE**



UL LISTED
FILE: E167318



COVER CLIP (SMS3007)



4 International Drive
Rye Brook, NY 10573
Toll Free: 1 888.764.7681
Phone: 914.934.2075
Fax: 914.934.2190
MonoSystems.com

