

Surface Raceway / Steel SMS3006

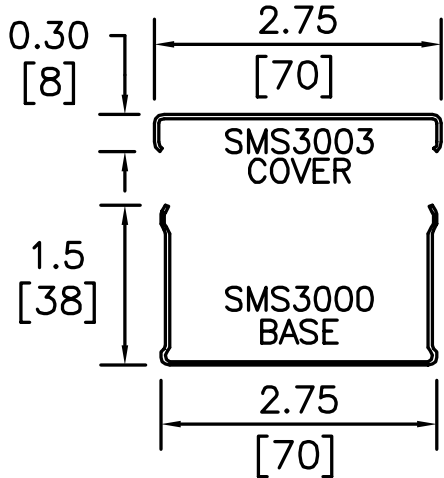
SnapMark™ Accessories

Manufactured by MonoSystems, Inc.

WIRE CLIP

Assembly Instructions

- 1.) After installation of wiring; firmly press wire clip into inner grooves of SMS3000 base ensuring that both ends of clip are completely within grooves of base section.



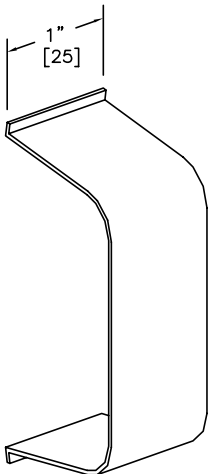
**SMS3000 SERIES
STEEL RACEWAY
SECTION VIEW
SCALE: NONE**



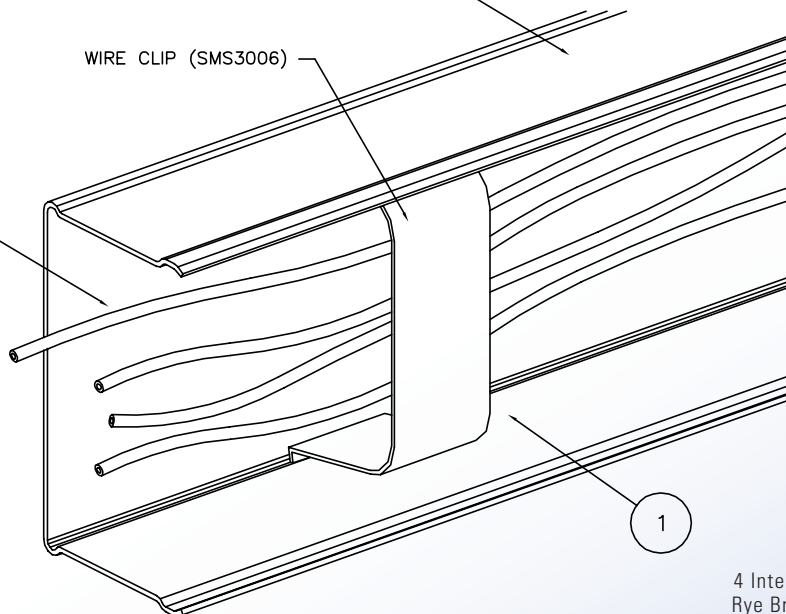
BASE (SMS3000)
(ORDER SEPARATELY)

WIRE CLIP (SMS3006)

WIRING
BY OTHERS



WIRE CLIP (SMS3006)



4 International Drive
Rye Brook, NY 10573
Toll Free: 1 888.764.7681
Phone: 914.934.2075
Fax: 914.934.2190
MonoSystems.com

