

Surface Raceway / Steel SMS3005

SnapMark™ Fittings

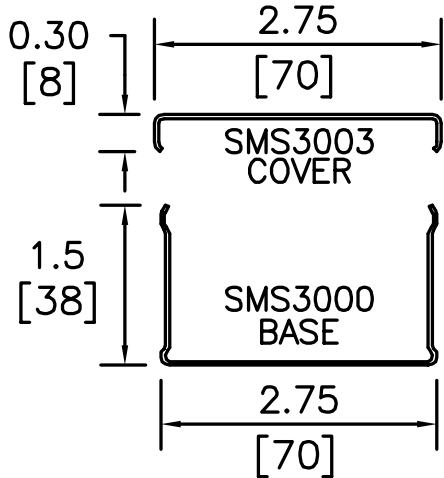
Manufactured by MonoSystems, Inc.

ENTRANCE END

Assembly Instructions

- 1.) Slide entrance end into end of SMS3000 base section and secure with two 6-32 x 1/4" pan head screws.
- 2.) Cover is secured to entrance end with two 6/32 x 1/8" pan head screws.

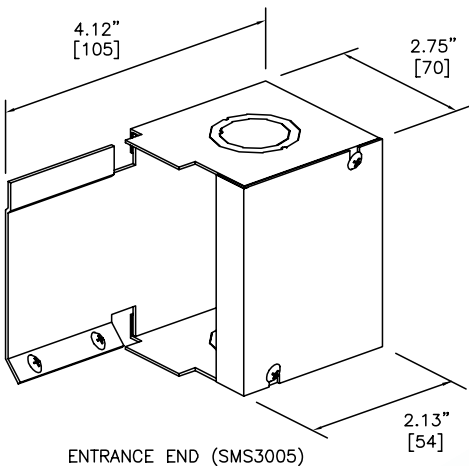
Available in Standard Gray or Ivory (add "-I" suffix to specify Ivory).



**SMS3000 SERIES
STEEL RACEWAY
SECTION VIEW
SCALE: NONE**



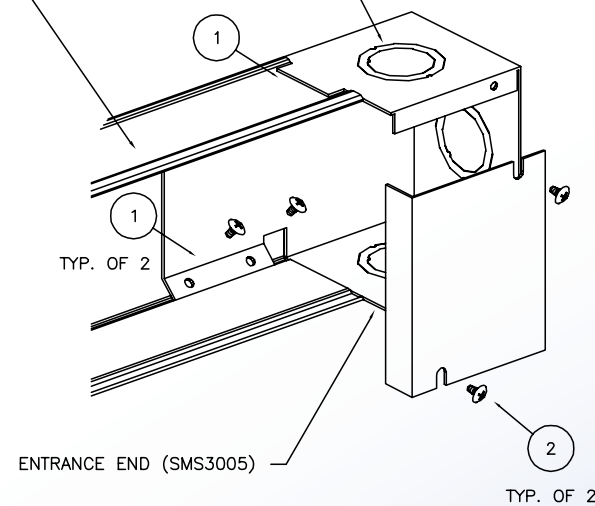
UL LISTED
FILE: E167318



ENTRANCE END (SMS3005)

∅ .875 [22] & 1.125 [29]
CONCENTRIC K.O.s' (TYP. OF 3)

BASE (SMS3000)
(ORDER SEPARATELY)



ENTRANCE END (SMS3005)

TYP. OF 2

4 International Drive
Rye Brook, NY 10573
Toll Free: 1 888.764.7681
Phone: 914.934.2075
Fax: 914.934.2190
MonoSystems.com

