

# Surface Raceway / Steel SMS3004

## SnapMark™ Fittings

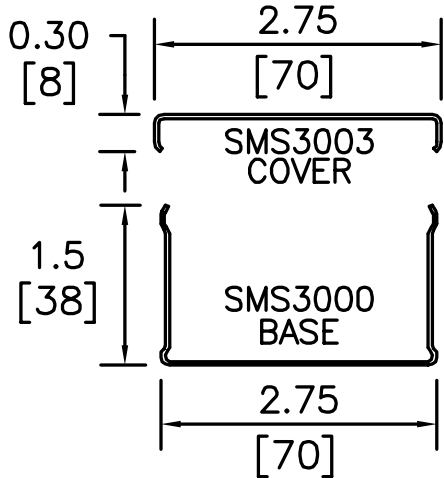
Manufactured by MonoSystems, Inc.

### BLANK END FITTING

#### Assembly Instructions

- 1.) Insert blank end fully into SMS3000 base section. Secure with one 6-32 X 1/4" pan head screw.

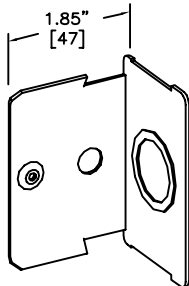
Available in Standard Gray or Ivory (add "-I" suffix to specify Ivory).



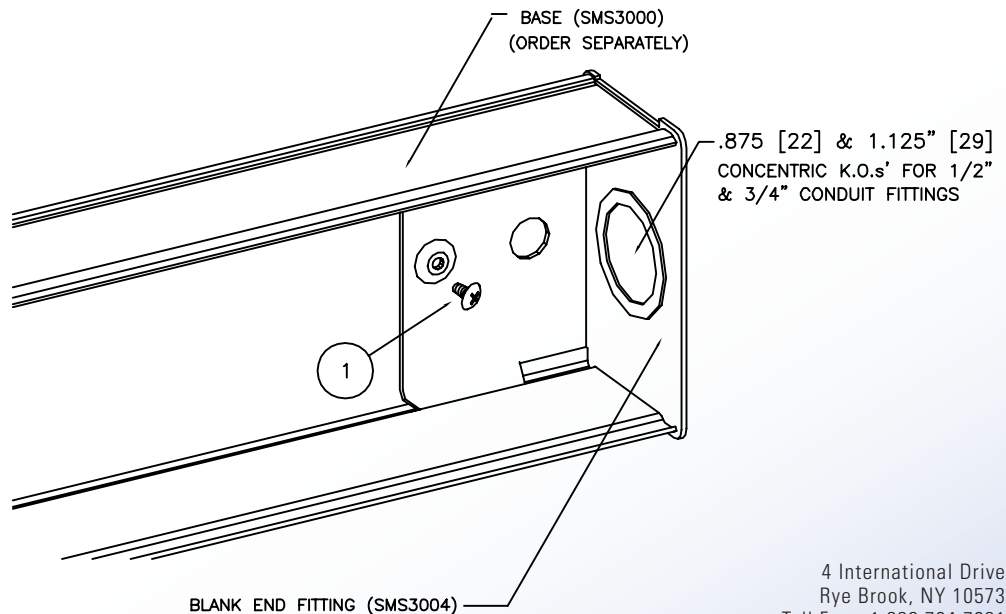
**SMS3000 SERIES  
STEEL RACEWAY  
SECTION VIEW  
SCALE: NONE**



UL LISTED  
FILE: E167318



BLANK END FITTING (SMS3004)



4 International Drive  
Rye Brook, NY 10573  
Toll Free: 1 888.764.7681  
Phone: 914.934.2075  
Fax: 914.934.2190  
MonoSystems.com

