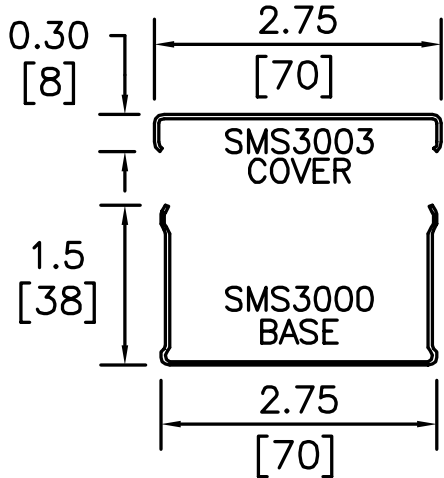


# Surface Raceway / Steel SMS3003

SnapMark™

Manufactured by MonoSystems, Inc.

## 5' [1.5M] COVER SECTION



**SMS3000 SERIES  
STEEL RACEWAY  
SECTION VIEW  
SCALE: NONE**

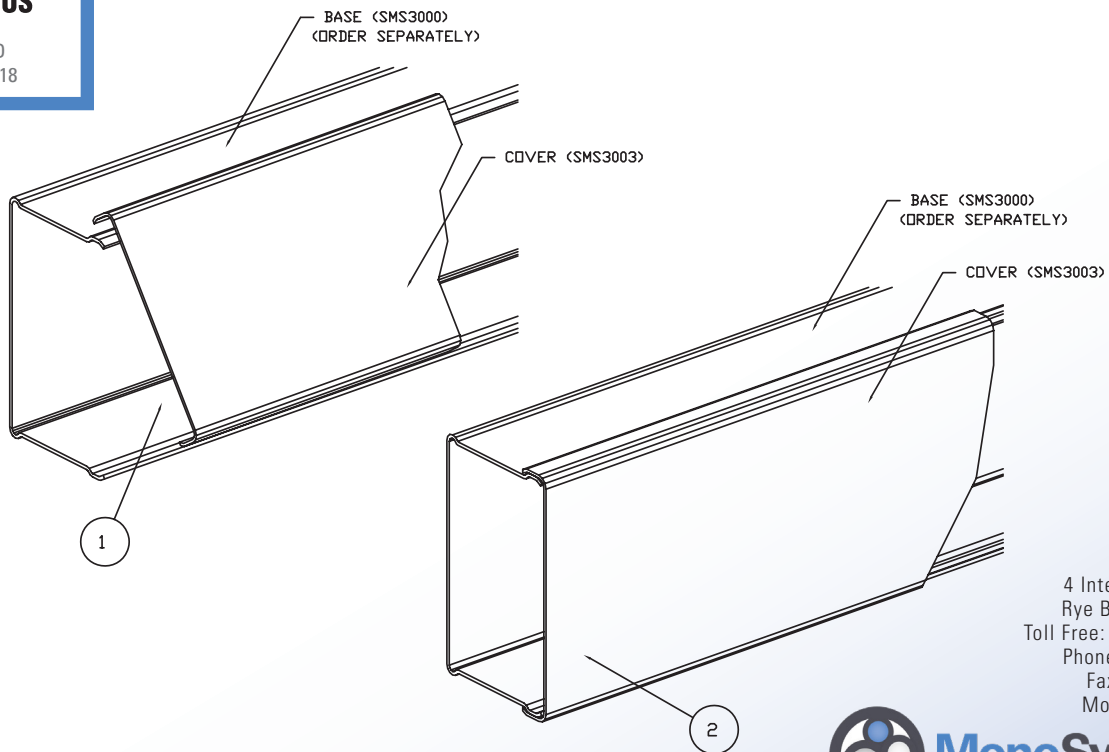
### Assembly Instructions

- 1.) Insert one edge of cover over lip of SMS3000 base.
- 2.) Firmly press cover into place ensuring that both sides are completely snapped over base section.

Available in Standard Gray or Ivory (add "-I" to specify Ivory).



UL LISTED  
FILE: E167318



4 International Drive  
Rye Brook, NY 10573  
Toll Free: 1 888.764.7681  
Phone: 914.934.2075  
Fax: 914.934.2190  
MonoSystems.com

