

Surface Raceway / Steel SMS3002

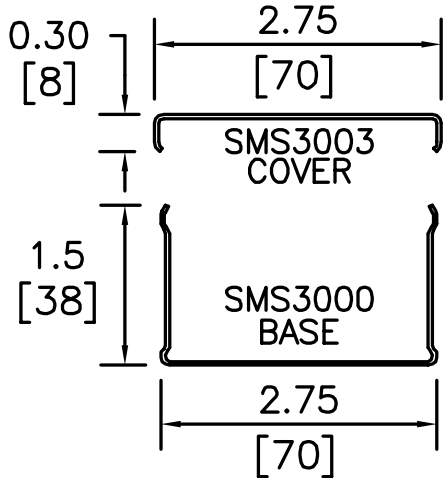
SnapMark™ Accessories

Manufactured by MonoSystems, Inc.

COUPLING

Assembly Instructions

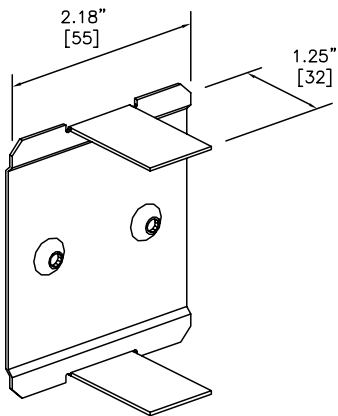
- 1.) Insert rigid coupling into ends of SMS3000 base sections to be joined.
Secure in place using two 6-32 X 1/4" pan head screws.



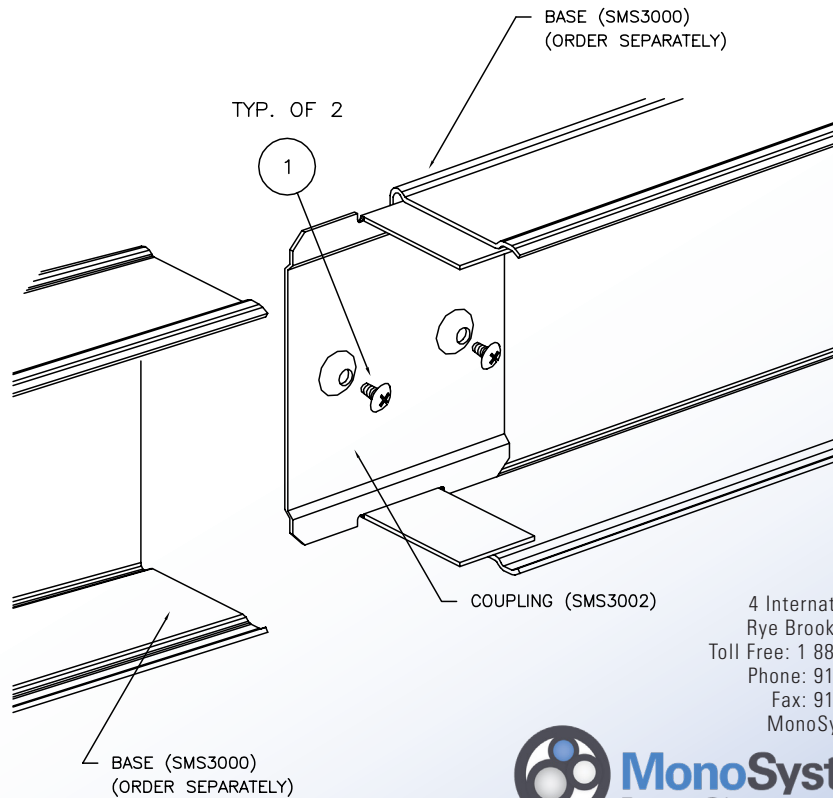
**SMS3000 SERIES
STEEL RACEWAY
SECTION VIEW
SCALE: NONE**



UL LISTED
FILE: E167318



COUPLING (SMS3002)



4 International Drive
Rye Brook, NY 10573
Toll Free: 1 888.764.7681
Phone: 914.934.2075
Fax: 914.934.2190
MonoSystems.com

