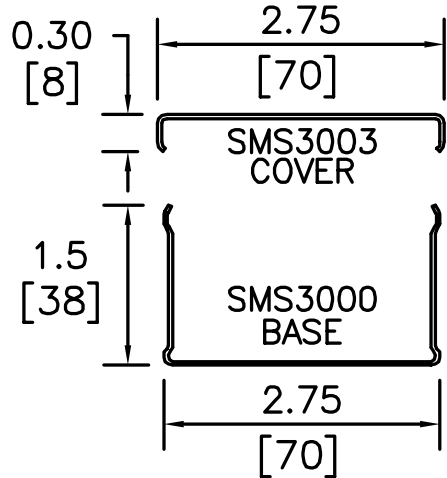


Surface Raceway / Steel SMS3000

SnapMark™

Manufactured by MonoSystems, Inc.

10' [3m] BASE SECTION



**SMS3000 SERIES
STEEL RACEWAY
SECTION VIEW
SCALE: NONE**

Assembly Instructions

- 1.) Rigidly secure base section to structural building member or wall construction at 18" maximum mounting centers. Engineer to verify fasteners & mounting interval based on mountig surface construction. (Hardware by others)
- 2.) Couple adjoining Raceway lengths using SMS3001 or SMS3002 couplings. (Ordered separately)

Available in Standard Gray or Ivory (add "-I" suffix to specify Ivory).

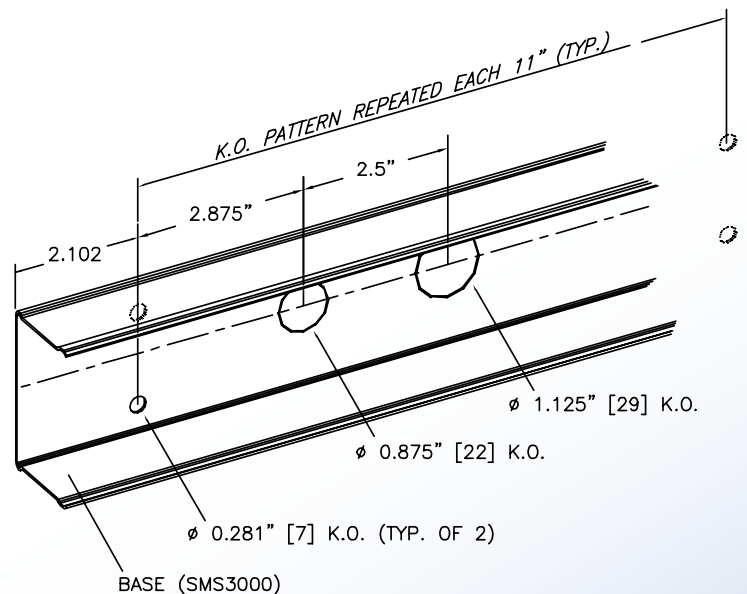


UL LISTED
FILE: E164140

THHN / THWN WIRE SIZE	OUTSIDE DIAMETER	POWER WIRING WITHOUT DEVICES (40% FILL)	POWER WIRING WITH DEVICES (40% FILL)	POWER WIRING WITH SURGE / GFI (40% FILL)
6 AWG	0.257"	27	15	11
8 AWG	0.218"	38	21	15
10 AWG	0.153"	76	43	30
12 AWG	0.122"	120	68	48
14 AWG	0.105"	162	92	65

CABLE TYPE	SIZE	CABLE O.D.	30% FILL	60% FILL
COAXIAL CABLES	RG62A/U 22 GAGE	0.260"	20	40
	RG6/U 18 GAGE	0.275"	18	35
	RG59/U 20 GAGE	0.242"	23	46
	RG58A/U 20 GAGE	0.195"	35	71
IBM CABLING SYSTEM	TYPE 1 CABLE	0.430"	7	15
	TYPE 2 CABLE	0.510"	5	10
LOW VOLTAGE WIRING	18 AWG	0.066"	308	616
	20 AWG	0.057"	413	826
	22 AWG	0.050"	537	1073
	24 AWG	0.044"	693	1386

TYPE	# OF PAIRS	CABLE O.D.	30% FILL	60% FILL
24 AWG. TELEPHONE CABLES (C/M/C/M/R)	100	0.68"	3	6
	75	0.60"	4	7
	50	0.50"	5	11
	25	0.38"	9	19
	6	0.22"	28	55
	4	0.18"	41	83
	3	0.14"	68	197
	2	0.12"	93	186



4 International Drive
Rye Brook, NY 10573
Toll Free: 1 888.764.7681
Phone: 914.934.2075
Fax: 914.934.2190
MonoSystems.com

