

Surface Raceway / Steel SMS2400C

SnapMark™

Manufactured by MonoSystems, Inc.

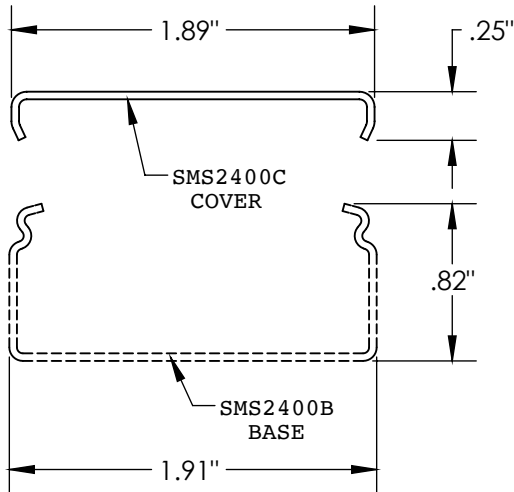
COVER

Assembly Instructions

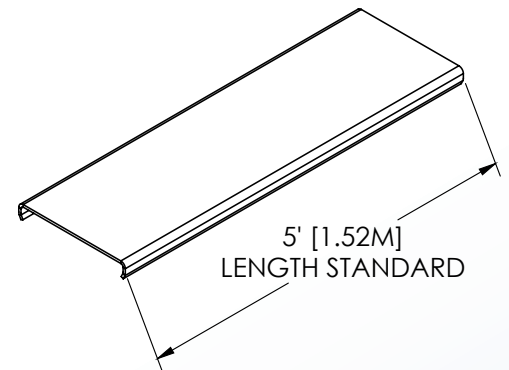
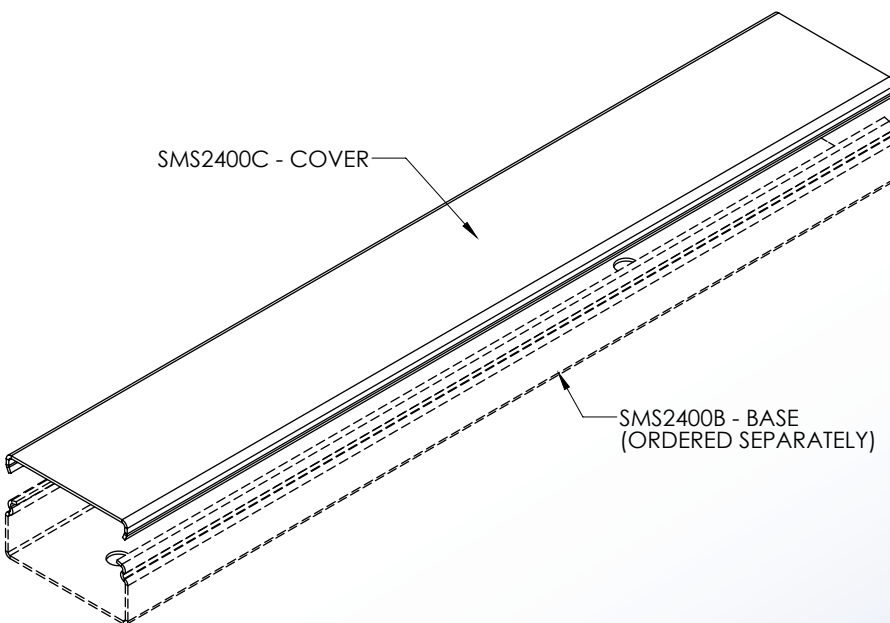
- 1.) Firmly press cover into place ensuring that both sides are completely snapped into base section.
- 2.) To remove cover: gently pry upward on base and cover seam with a non-abrasive tool such as a plastic putty knife.
- 3.) Views for reference –do not scale.

Material

20GA Galv. Steel. Color: Standard Ivory. Custom colors also available.



UL LISTED
FILE: E164140



4 International Drive
Rye Brook, NY 10573
Toll Free: 1 888.764.7681
Phone: 914.934.2075
Fax: 914.934.2190
MonoSystems.com

