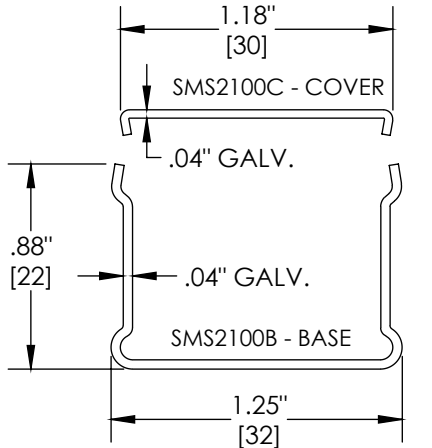


Surface Raceway / Steel SMS2189E

SnapWay™ Fittings
Manufactured by MonoSystems, Inc.

CONNECTOR, END REDUCING



SMS2100 SERIES
STEEL RACEWAY
SECTION VIEW
STANDARD IVORY FINISH
EACH ORDERED SEPARATELY

Assembly Instructions

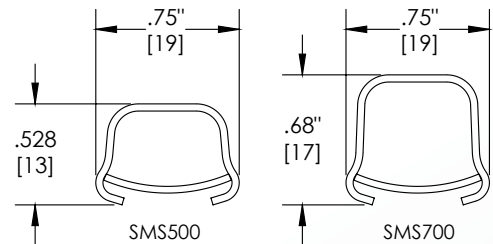
- 1.) Attach SMS2189E (connector) to SMS2100 series RaceWay using #6-32 x 1/4" pan HD screw (provided).
- 2.) Attach opposite coupling end to SMS500 or SMS700 series RaceWay as shown.
- 3.) Views for reference – do not scale.

Material

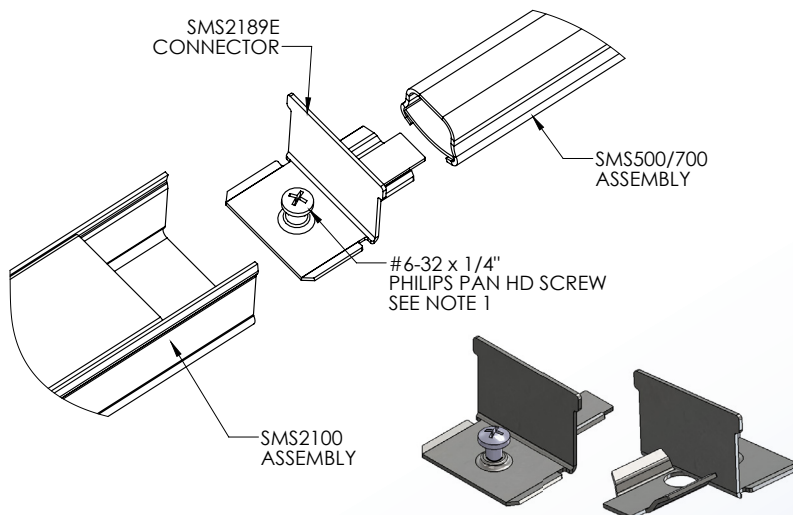
Steel – Standard Ivory Finish.



UL LISTED
FILE: E167318



SMS500 & SMS700 SERIES
STEEL RACEWAY
SECTION VIEW
STANDARD IVORY FINISH
EACH ORDERED SEPARATELY



4 International Drive
Rye Brook, NY 10573
Toll Free: 1 888.764.7681
Phone: 914.934.2075
Fax: 914.934.2190
MonoSystems.com

