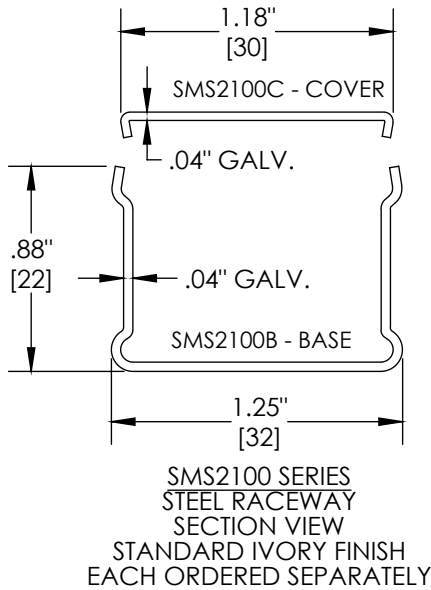


# Surface Raceway / Steel SMS2186

## SnapMark™ Fittings

Manufactured by MonoSystems, Inc.

### ADJUSTABLE OFFSET CONNECTOR



A.) Eliminates offsetting RaceWay when connecting to surface panel boxes (by others).

B.) Can accommodate adjustment from 1" to 1-5/8".

### Assembly Instructions

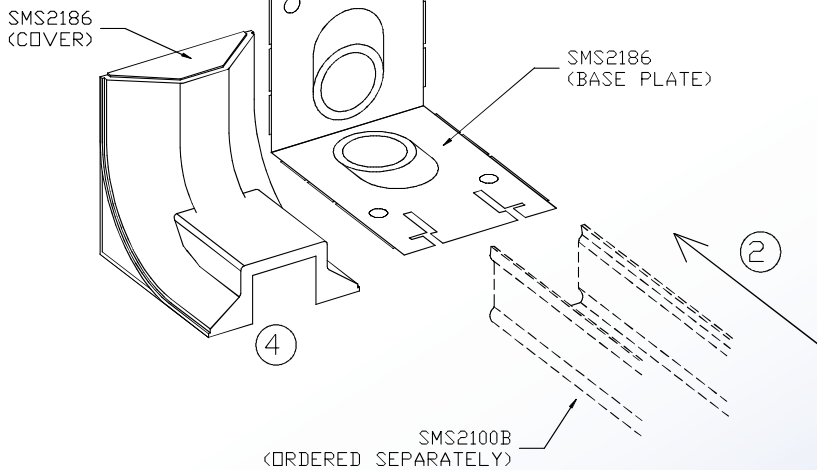
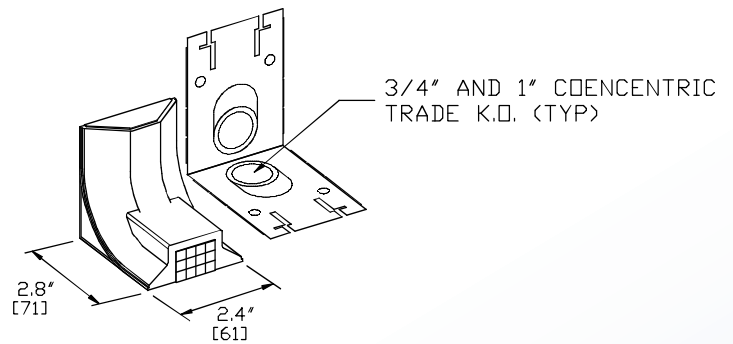
- 1.) Attach adjustable offset connector to panel box (by others) using hardware by others.
- 2.) Slide RaceWay onto base plate tab.
- 3.) Terminate wiring per NEC and local codes.
- 4.) Remove K.O. from cover and snap onto base plate.

### Material

Steel – Galv / Die Cast Cover – Ivory Finish



UL LISTED  
FILE: E167318



4 International Drive  
Rye Brook, NY 10573  
Toll Free: 1 888.764.7681  
Phone: 914.934.2075  
Fax: 914.934.2190  
MonoSystems.com

