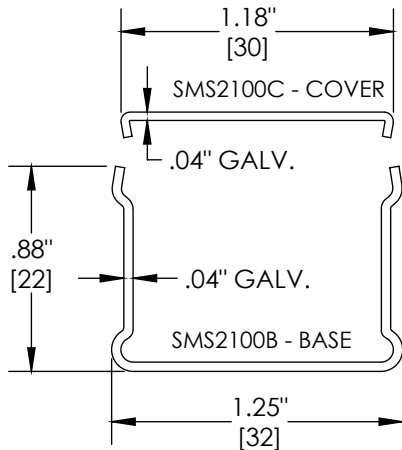


# Surface Raceway / Steel SMS2151 – SMS2151-2

**SnapMark™ Fittings**  
Manufactured by MonoSystems, Inc.

## EXTENSION ADAPTOR BOX – SINGLE GANG (SMS2151) EXTENSION ADAPTOR BOX – TWO GANG (SMS2151-2)



SMS2100 SERIES  
STEEL RACEWAY  
SECTION VIEW  
STANDARD IVORY FINISH  
EACH ORDERED SEPARATELY

- A.) For extending from existing flush receptacle and switch outlets.
- B.) Can also accommodate a through run of SMS500 or SMS700.
- C.) 10-32 ground screw provided.

### Assembly Instructions

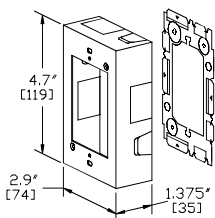
- 1.) Remove appropriate RaceWay K.O. from cover.
- 2.) Slide SMS2100B sections over tab on base plate.
- 3.) Secure base plate to existing flush outlet using provided hardware.
- 4.) Terminate wiring per NEC and local codes.
- 5.) Attach cover to base plate using provided No. 6 hardware.

### Material

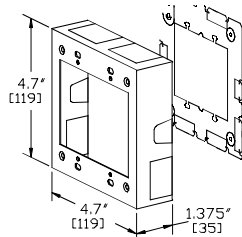
Steel – Galv / Ivory Finish



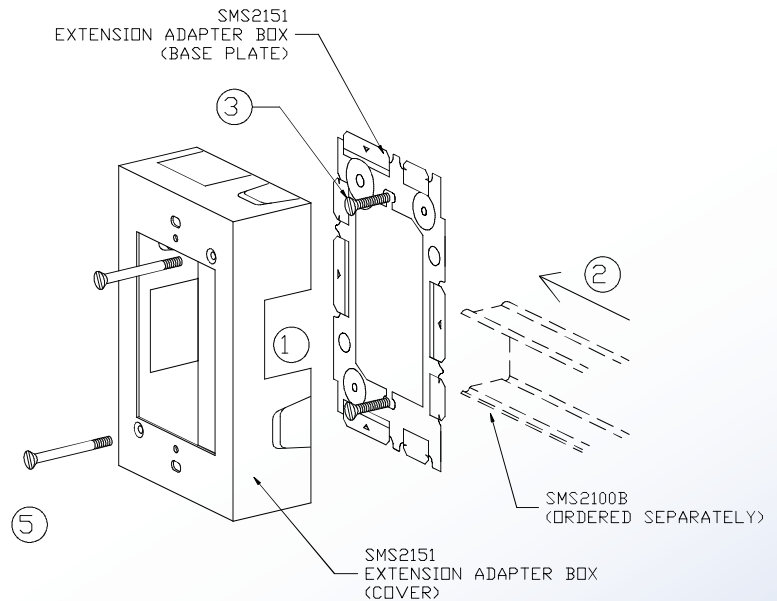
UL LISTED  
FILE: E167318



SMS2151  
SINGLE GANG  
18 C.I. CAPACITY



SMS2151-2  
TWO GANG  
31 C.I. CAPACITY



4 International Drive  
Rye Brook, NY 10573  
Toll Free: 1 888.764.7681  
Phone: 914.934.2075  
Fax: 914.934.2190  
MonoSystems.com

