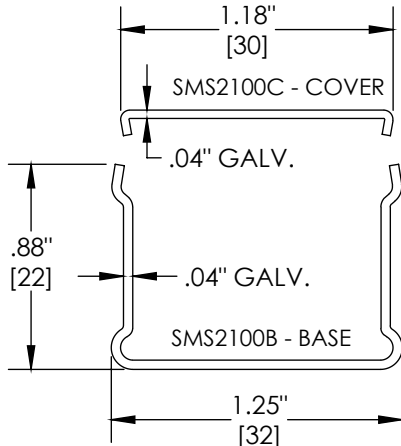


Surface Raceway / Steel SMS2144-2B

SnapMark™ Fittings

Manufactured by MonoSystems, Inc.

TWO GANG EXTRA DEEP SWITCH BOX



SMS2100 SERIES
STEEL RACEWAY
SECTION VIEW
STANDARD IVORY FINISH
EACH ORDERED SEPARATELY

A.) For switches and receptacles up to 30A rating.

B.) Can bridge over an existing run of SMS500 or SMS700.

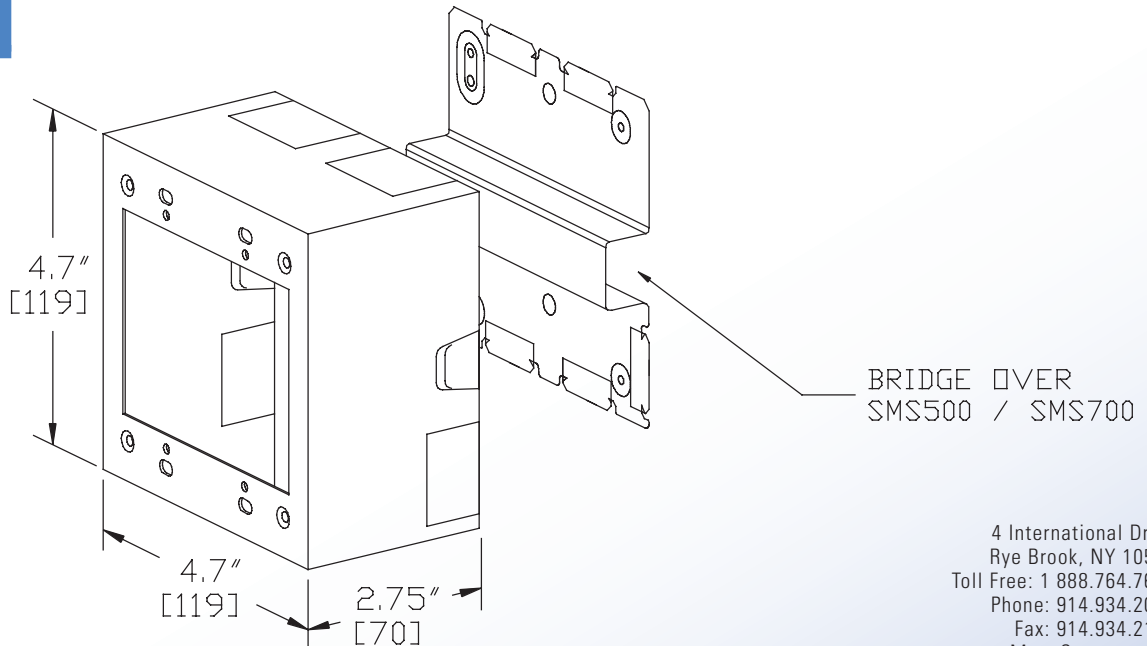
C.) 10-32 ground screw provided.

Material

Steel – Galv / Ivory Finish



UL LISTED
FILE: E167318



SMS2144B-2

4 International Drive
Rye Brook, NY 10573
Toll Free: 1 888.764.7681
Phone: 914.934.2075
Fax: 914.934.2190
MonoSystems.com

