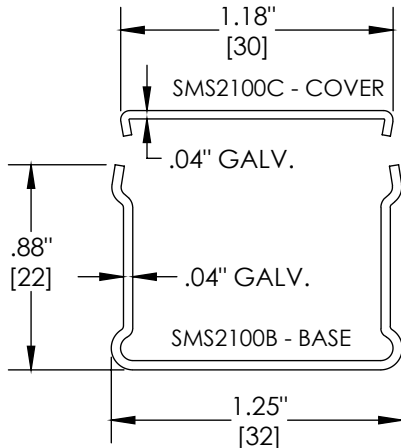


Surface Raceway / Steel SMS2144 – SMS2144-2

SnapMark™ Fittings

Manufactured by MonoSystems, Inc.

EXTRA DEEP SWITCH AND RECEPTACLE BOX – SINGLE GANG (SMS2144)
EXTRA DEEP SWITCH AND RECEPTACLE BOX – TWO GANG (SMS2144-2)



SMS2100 SERIES
STEEL RACEWAY
SECTION VIEW
STANDARD IVORY FINISH
EACH ORDERED SEPARATELY

A.) For switches and receptacles up to 30A rating.

B.) Can also accommodate a through run of SMS500 or SMS700.

C.) 10-32 ground screw provided.

Assembly Instructions

1.) Remove appropriate RaceWay K.O. from cover.

2.) Slide SMS2100B sections over tab on base plate.

3.) Secure base plate to existing flush outlet using provided hardware (by others).

4.) Terminate wiring per NEC and local codes.

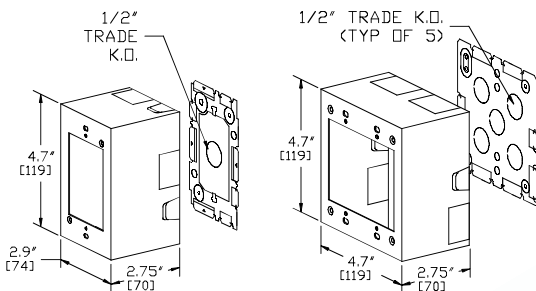
5.) Attach cover to base plate using provided No. 6 hardware.

Material

Steel – Galv / Ivory Finish

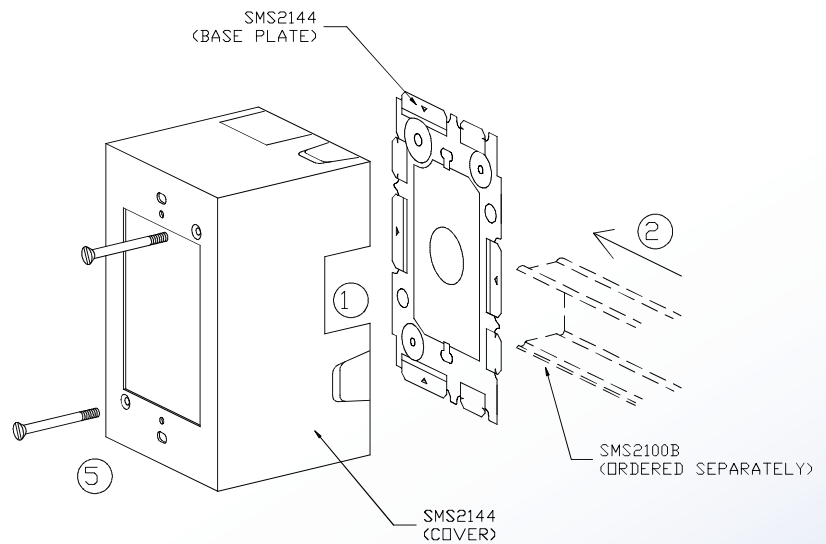


UL LISTED
FILE: E167318



SMS2144
SINGLE GANG
37 C.I. CAPACITY

SMS2144-2
TWO GANG
62 C.I. CAPACITY



4 International Drive
Rye Brook, NY 10573
Toll Free: 1 888.764.7681
Phone: 914.934.2075
Fax: 914.934.2190
MonoSystems.com

