

Surface Raceway / Steel SMS2135

SnapMark™ Fittings

Manufactured by MonoSystems, Inc.

DISTRIBUTION BOX

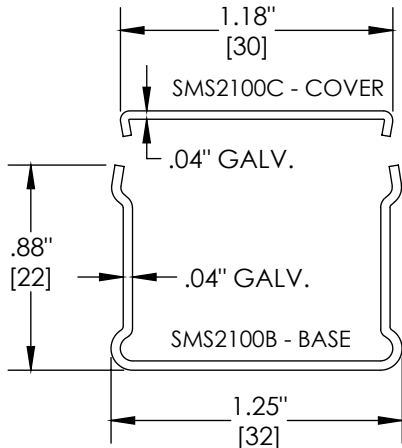
- A.) Can accommodate devices with mounting centers of 2 3/4", 3 1/2" or 4 1/16" and canopy fixtures not larger than 4 5/8" diameter.
- B.) Can also accommodate a through run of SMS500 or SMS700.
- C.) 10-32 ground screw provided.

Assembly Instructions

- 1.) Remove appropriate RaceWay K.O. from cover.
- 2.) Slide SMS2100B sections over tab on base plate.
- 3.) Secure base plate to mounting surface using appropriate hardware (by others).
- 4.) Terminate wiring per NEC and local codes.
- 5.) Attach cover to base plate using provided No. 6 hardware.

Material

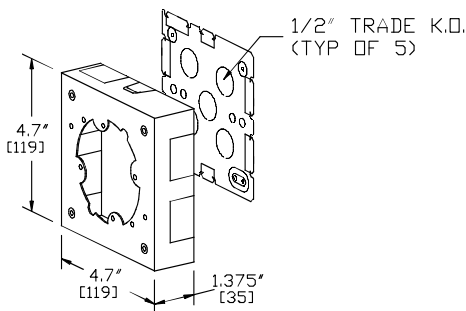
Steel – Galv / Ivory Finish



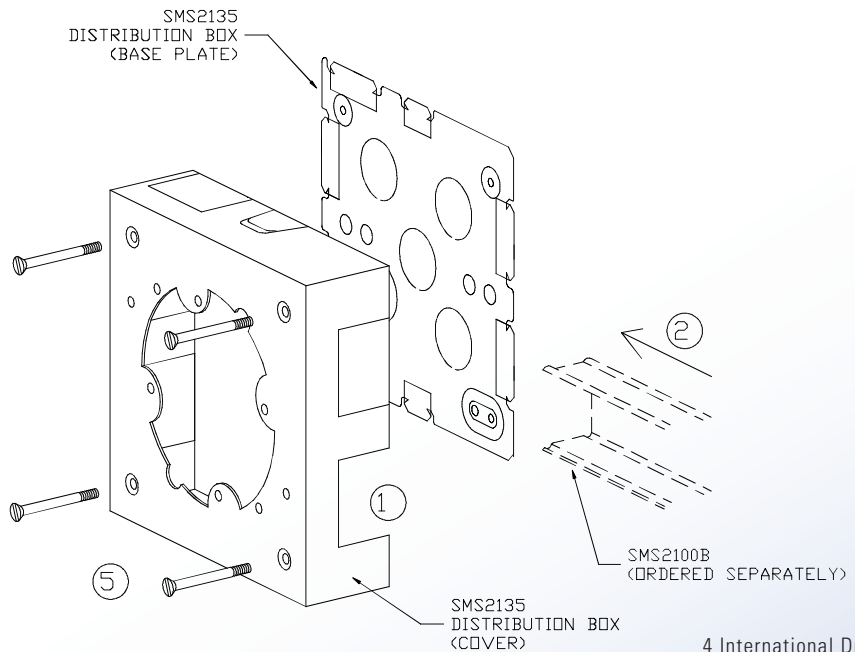
SMS2100 SERIES
STEEL RACEWAY
SECTION VIEW
STANDARD IVORY FINISH
EACH ORDERED SEPARATELY



UL LISTED
FILE: E167318



SMS2135
DISTRIBUTION BOX
31 C.I. CAPACITY



4 International Drive
Rye Brook, NY 10573
Toll Free: 1 888.764.7681
Phone: 914.934.2075
Fax: 914.934.2190
MonoSystems.com

