

# Surface Raceway / Steel SMS118A-F0

SnapMark™ Fittings

Manufactured in the USA by MonoSystems, Inc.



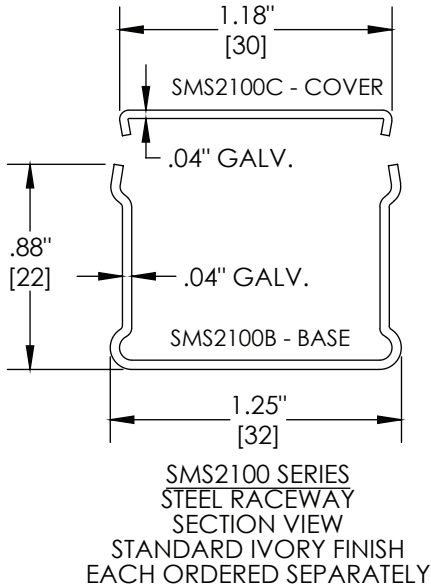
## 2" RADIUS 90° EXTERNAL ELBOW

### Assembly Instructions

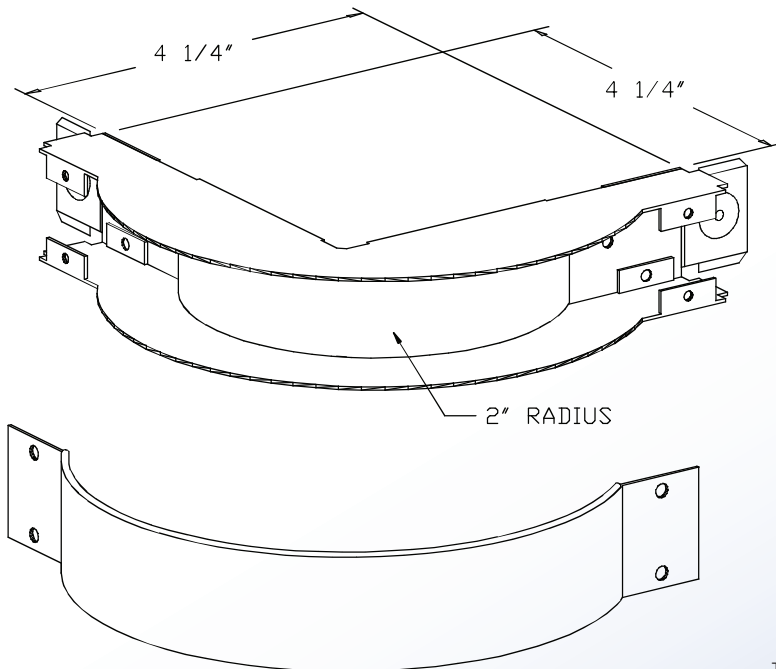
- 1.) For external turns where a cable bend radius is required.

### Material

Steel – Ivory Finish



UL LISTED  
FILE: E167318



SMS2118A-F0  
2" RADIUS 90° EXTERNAL ELBOW  
(ASSEMBLY HARDWARE PROVIDED)

4 International Drive  
Rye Brook, NY 10573  
Toll Free: 1 888.764.7681  
Phone: 914.934.2075  
Fax: 914.934.2190  
MonoSystems.com



**MonoSystems™**  
wire management. managed.™