

Surface Raceway / Steel SMS2118A

SnapMark™ Accessories

Manufactured by MonoSystems, Inc.

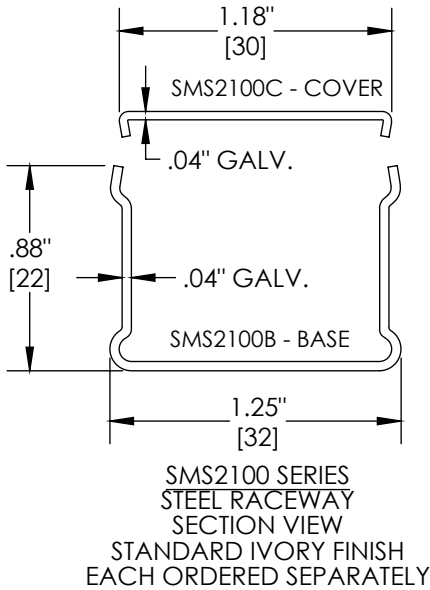
EXTERNAL CORNER COUPLING

Assembly Instructions

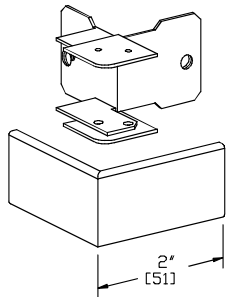
- 1.) Slide SMS2100B sections over coupling plate.
- 2.) Secure in place using provided No. 6 set screws.
- 3.) Snap provided cover into place.

Material

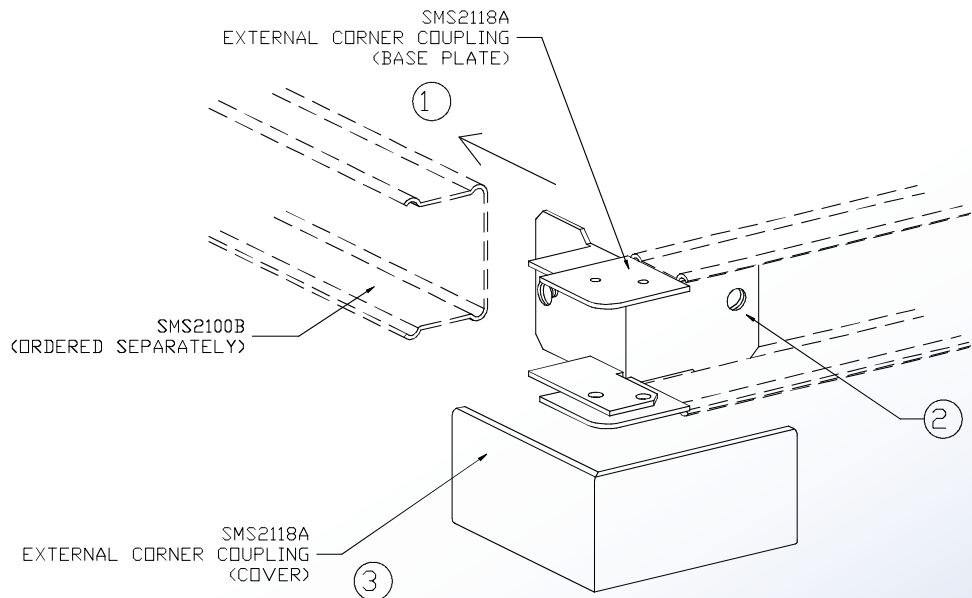
Steel – Galv / Ivory Finish



UL LISTED
FILE: E167318



SMS2118A
EXTERNAL CORNER COUPLING



4 International Drive
Rye Brook, NY 10573
Toll Free: 1 888.764.7681
Phone: 914.934.2075
Fax: 914.934.2190
MonoSystems.com

