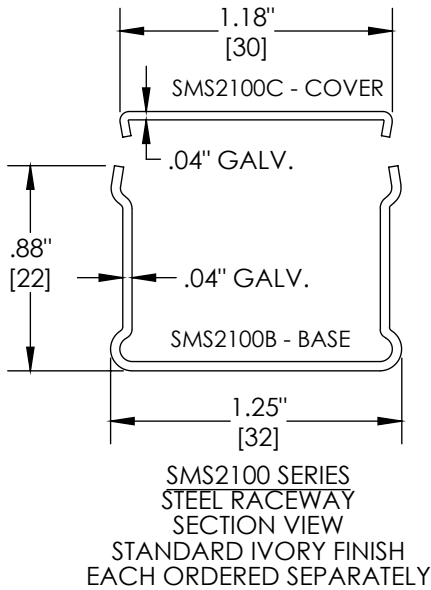


Surface Raceway / Steel SMS2117TC-F0

SnapMark™ Fittings

Manufactured by MonoSystems, Inc.

2" RADIUS 90° INTERNAL ELBOW



Notes

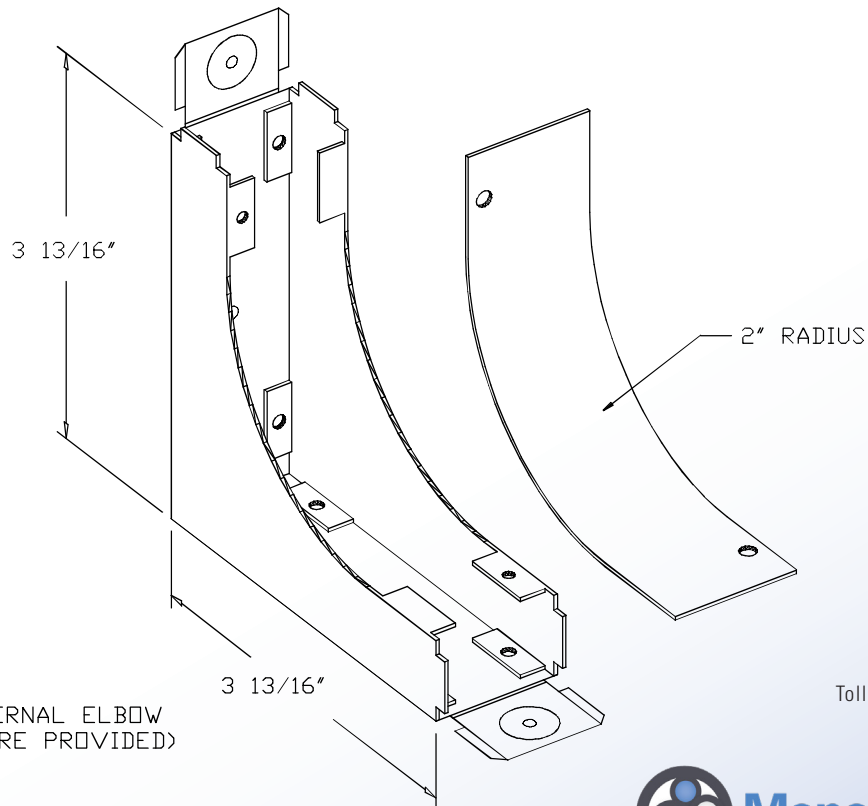
1.) For internal turns where a cable bend radius is required.

Material

Steel – Ivory Finish



UL LISTED
FILE: E167318



SMS2117TC-F0
2" RADIUS 90° INTERNAL ELBOW
(ASSEMBLY HARDWARE PROVIDED)

4 International Drive
Rye Brook, NY 10573
Toll Free: 1 888.764.7681
Phone: 914.934.2075
Fax: 914.934.2190
MonoSystems.com

