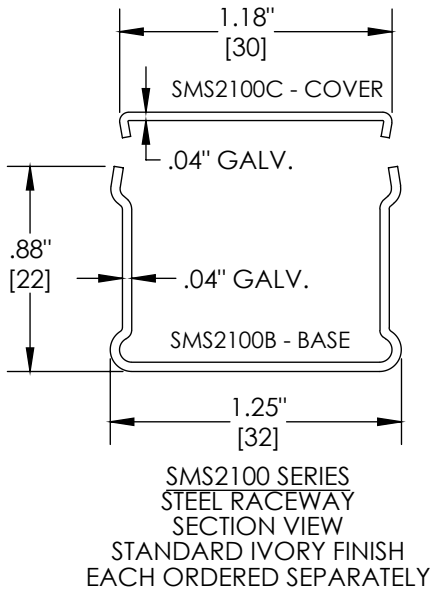


# Surface Raceway / Steel SMS2117TC

SnapMark™ Accessories  
Manufactured by MonoSystems, Inc.

## INTERNAL CORNER COUPLING



### Assembly Instructions

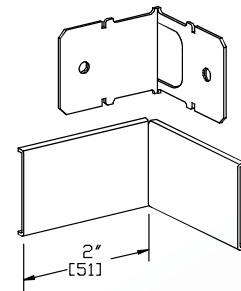
- 1.) Slide SMS2100B sections over coupling base plate.
- 2.) Secure in place using provided No. 6 set screws.
- 3.) Snap provided cover into place.
- 4.) Can also be used as a vertical tee.

### Material

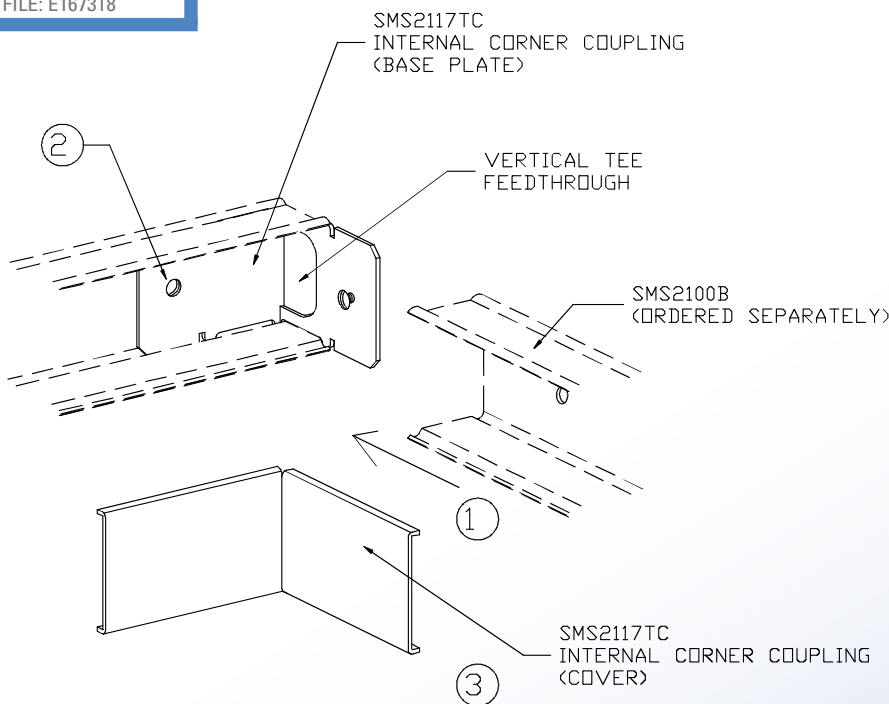
Steel – Galv / Ivory Finish



UL LISTED  
FILE: E167318



SMS2117TC  
INTERNAL CORNER COUPLING



4 International Drive  
Rye Brook, NY 10573  
Toll Free: 1 888.764.7681  
Phone: 914.934.2075  
Fax: 914.934.2190  
MonoSystems.com

