

Surface Raceway / Steel SMS2115-F0

SnapMark™ Fittings

Manufactured by MonoSystems, Inc.

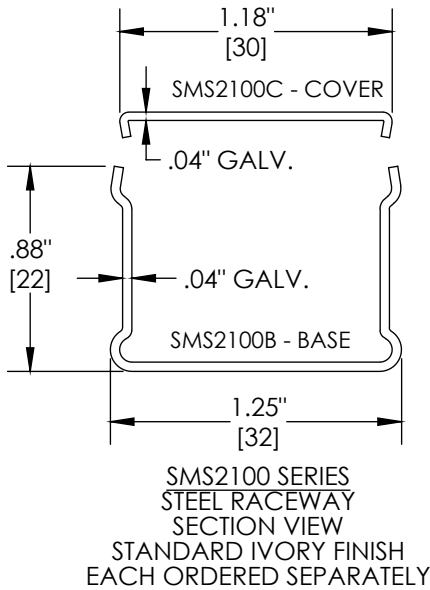
2" RADIUS TEE

Notes

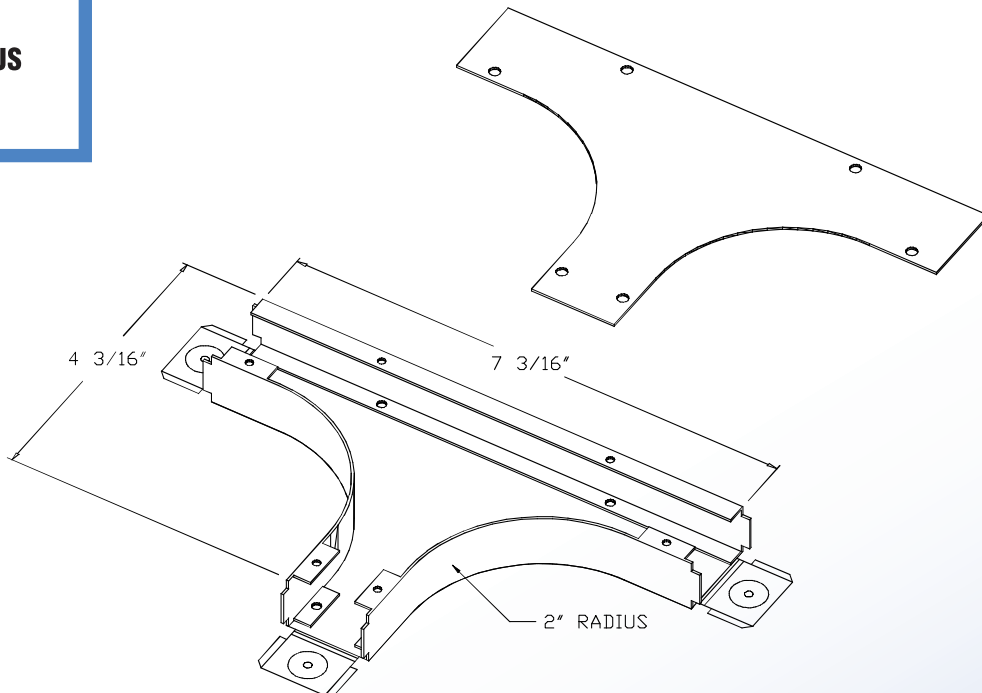
1.) For branches at right angles where a cable bend radius is required.

Material

Steel – Ivory Finish



UL LISTED
FILE: E167318



SMS2115-F0
2" RADIUS TEE
(ASSEMBLY HARDWARE PROVIDED)

4 International Drive
Rye Brook, NY 10573
Toll Free: 1 888.764.7681
Phone: 914.934.2075
Fax: 914.934.2190
MonoSystems.com

