

# Surface Raceway / Steel SMS2110C

## SnapMark™ Fittings

Manufactured by MonoSystems, Inc.

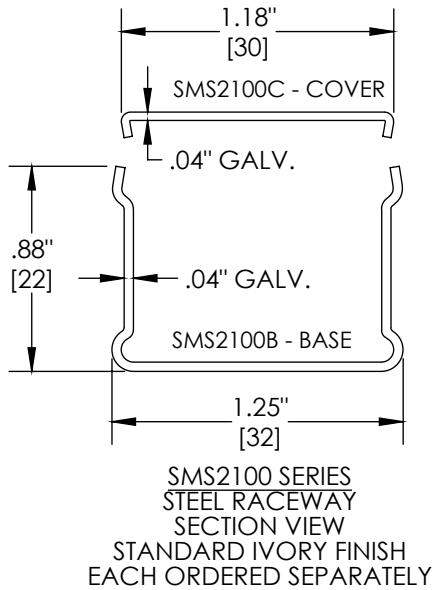
### ENTRANCE END

#### Assembly Instructions

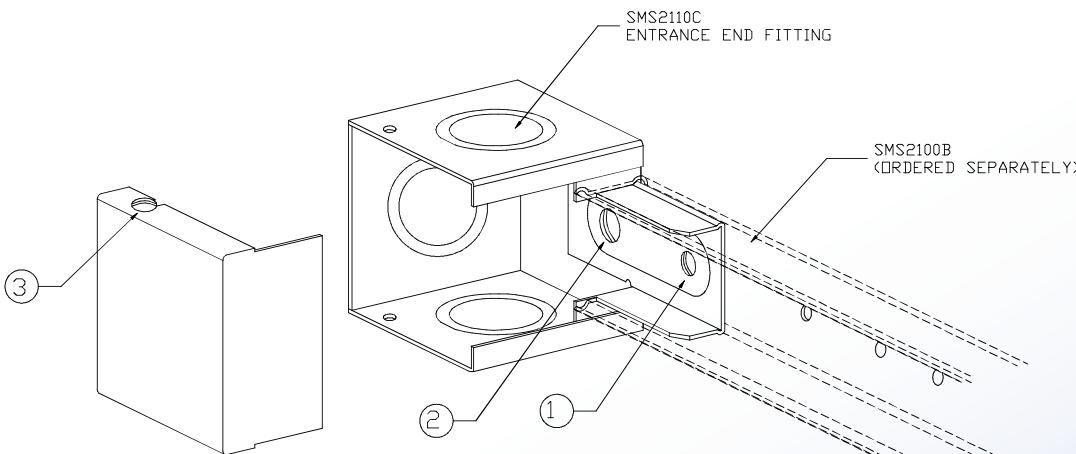
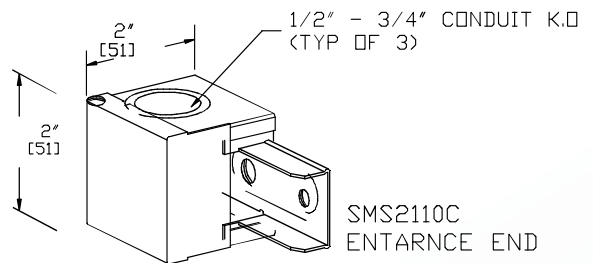
- 1.) Slide SMS2110C into raceway. Secure in place using provided No. 6 set screw.
- 2.) Terminate wiring and ground conductor per NEC and local codes. (By others)
- 3.) Attach SMS2110C cover using provided No. 6 screws.
- 4.) 10-32 ground screw provided.

#### Material

Steel – Ivory Finish



UL LISTED  
FILE: E167318



4 International Drive  
Rye Brook, NY 10573  
Toll Free: 1 888.764.7681  
Phone: 914.934.2075  
Fax: 914.934.2190  
MonoSystems.com

