

Surface Raceway / Steel SMS2110B

SnapMark™ Fittings

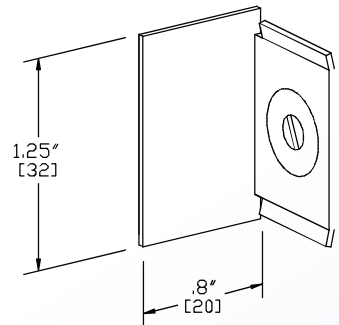
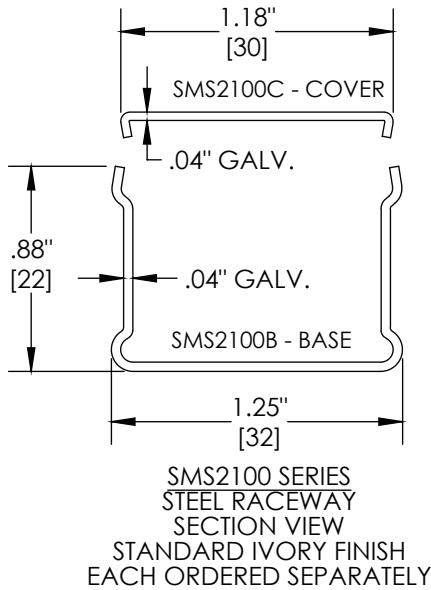
Manufactured in the USA by MonoSystems, Inc.



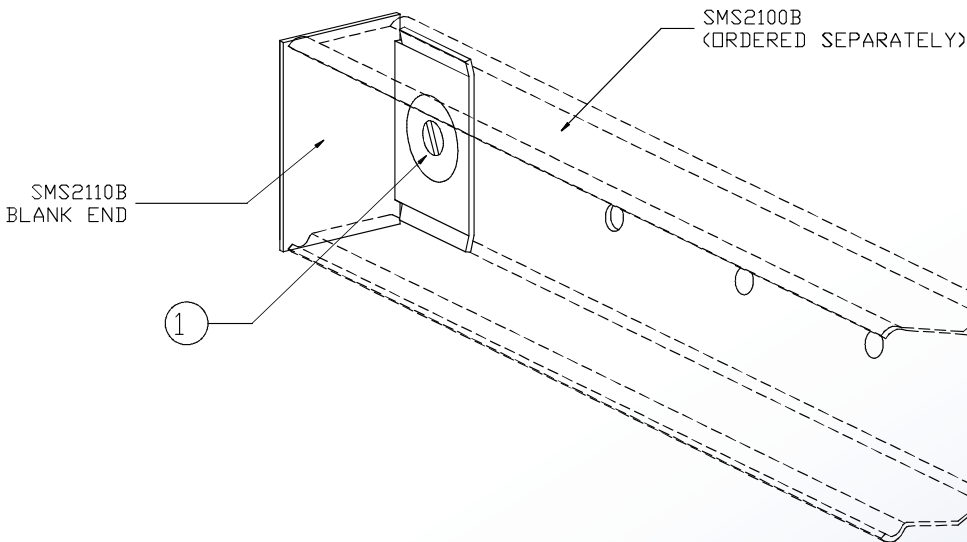
BLANK END

Assembly Instructions

- 1.) Slide blank end into end of SMS2100B. Secure in place using supplied No. 6 set screw.



SMS2110B
BLANK END



4 International Drive
Rye Brook, NY 10573
Toll Free: 1 888.764.7681
Phone: 914.934.2075
Fax: 914.934.2190
MonoSystems.com



MonoSystems™
wire management. managed.®