

Surface Raceway / Steel SMS2109

SnapMark™ Accessories

Manufactured by MonoSystems, Inc.

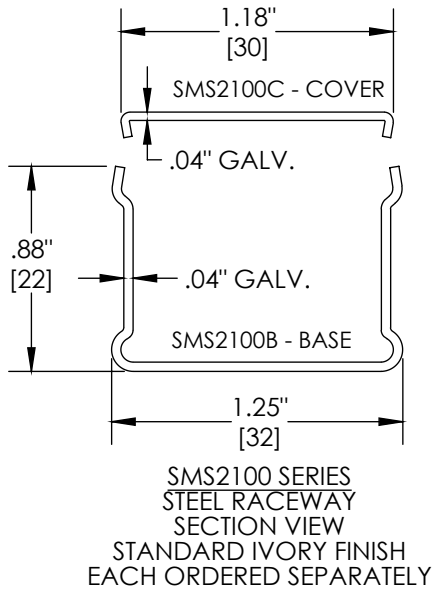
GROUND CLIP

Assembly Instructions

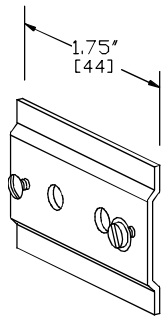
- 1.) Insert ground clip into SMS2100B sections.
- 2.) Tighten provided 6-32 set screws to secure in place.
- 3.) Terminate grounding conductor to provided 10-32 ground screw per NEC and local codes. (Grounding conductor and termination by others)

Material

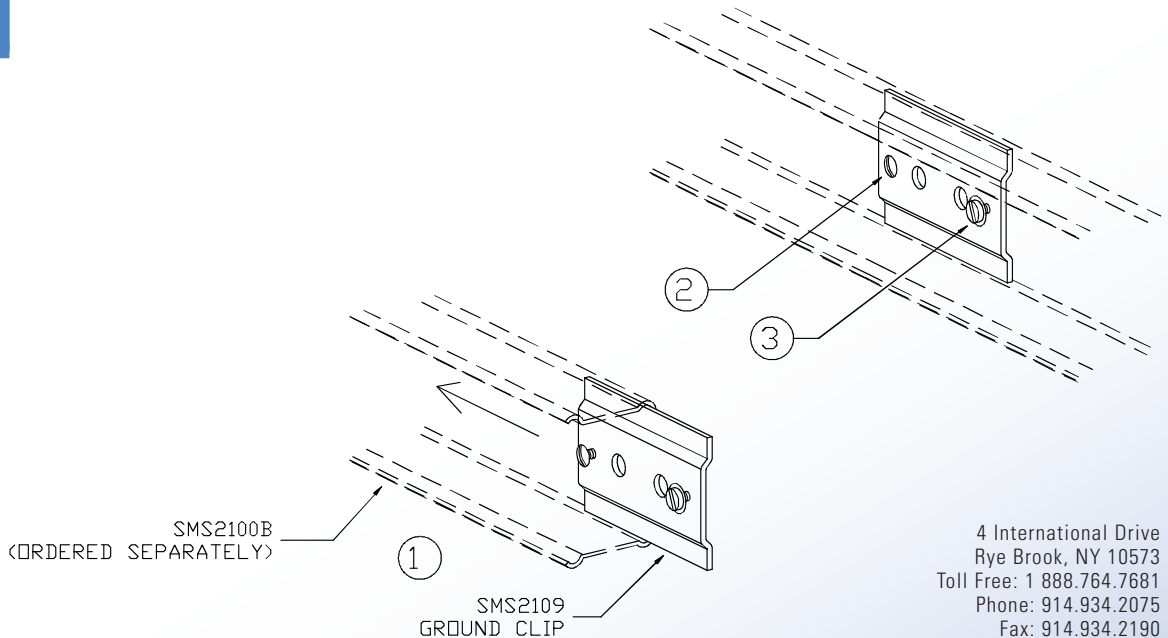
Galvanized Steel



UL LISTED
FILE: E167318



SMS2109
GROUND CLIP



4 International Drive
Rye Brook, NY 10573
Toll Free: 1 888.764.7681
Phone: 914.934.2075
Fax: 914.934.2190
MonoSystems.com

