

Surface Raceway / Steel SMS2103

SnapMark™ Accessories

Manufactured by MonoSystems, Inc.

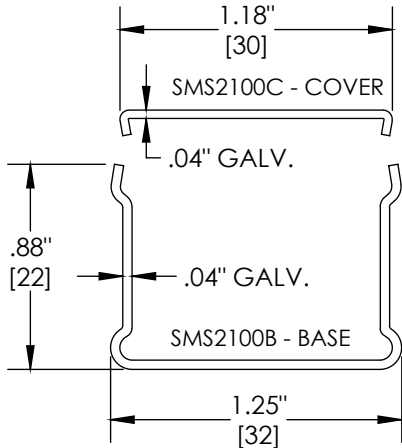
SUPPORT CLIP

Assembly Instructions

- 1.) Attach support clip to mounting surface using No. 6 flat head hardware and anchor if required. (By others)
- 2.) Snap SMS2100B into support clip as shown.

Material

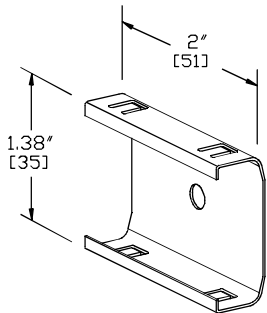
Steel – Ivory Finish



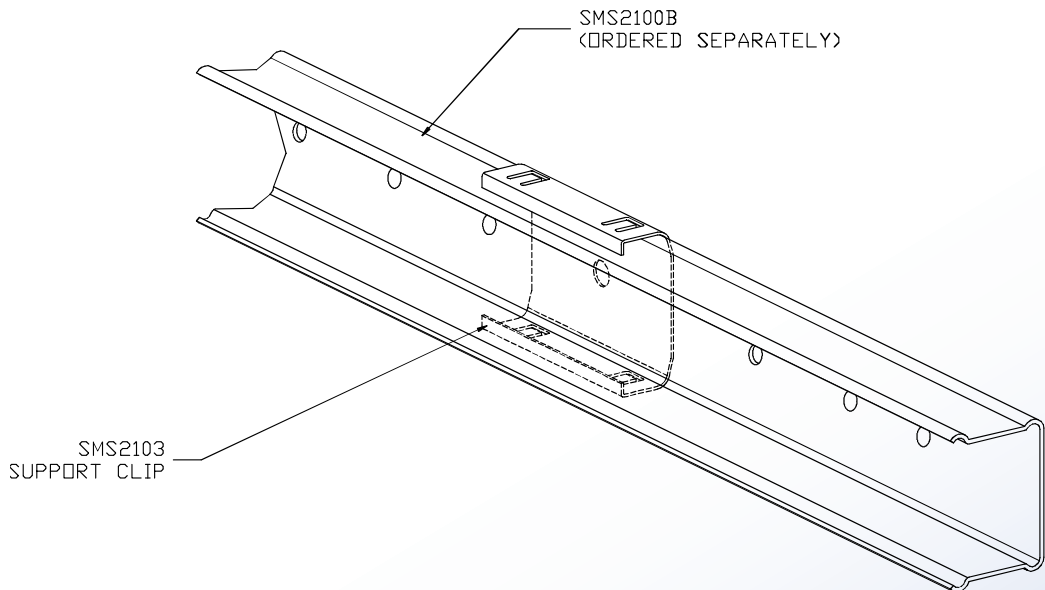
SMS2100 SERIES
STEEL RACEWAY
SECTION VIEW
STANDARD IVORY FINISH
EACH ORDERED SEPARATELY



UL LISTED
FILE: E167318



SMS2103
SUPPORT CLIP



4 International Drive
Rye Brook, NY 10573
Toll Free: 1 888.764.7681
Phone: 914.934.2075
Fax: 914.934.2190
MonoSystems.com

