

Surface Raceway / Steel SMS2101A

SnapMark™ Accessories

Manufactured by MonoSystems, Inc.

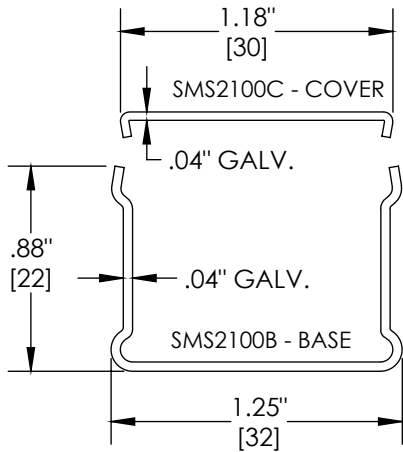
RIGID COUPLING

Assembly Instructions

- 1.) Insert rigid coupling between SMS2100B lengths to be connected.
- 2.) Tighten provided 6-32 set screws to secure in place.

Material

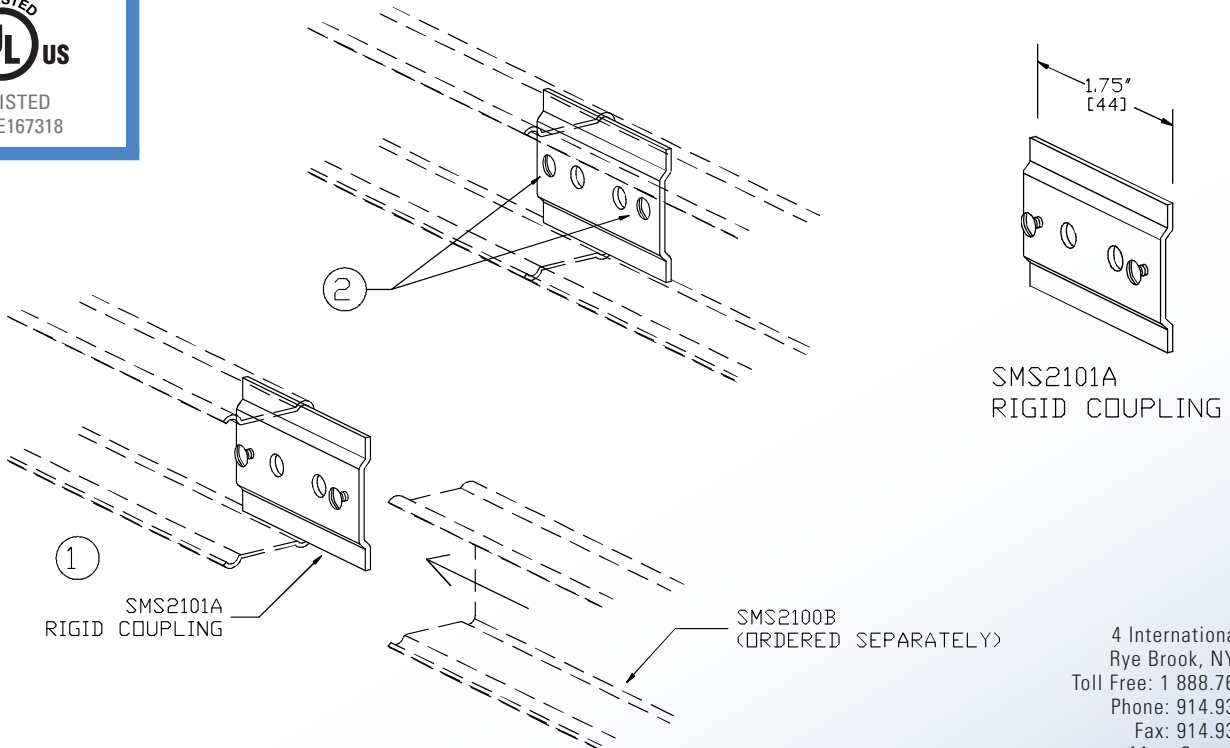
Galvanized Steel



SMS2100 SERIES
STEEL RACEWAY
SECTION VIEW
STANDARD IVORY FINISH
EACH ORDERED SEPARATELY



UL LISTED
FILE: E167318



SMS2101A
RIGID COUPLING

4 International Drive
Rye Brook, NY 10573
Toll Free: 1 888.764.7681
Phone: 914.934.2075
Fax: 914.934.2190
MonoSystems.com

