

Surface Raceway / Steel SMS2100WC

SnapMark™

Manufactured by MonoSystems, Inc.

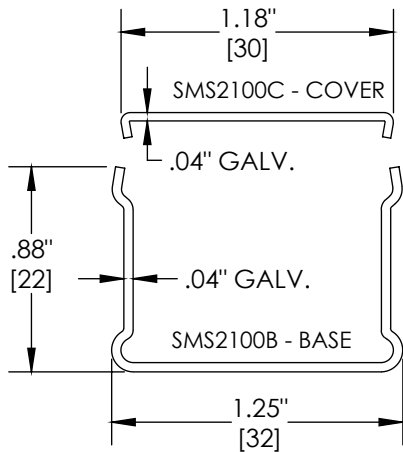
WIRE CLIP

Assembly Instructions

- 1.) Snap into SMS2100B as shown. Use as required to hold conductors in place.

Material

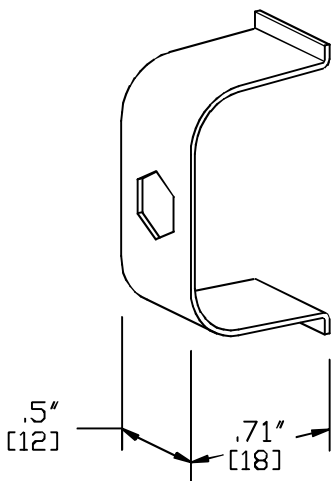
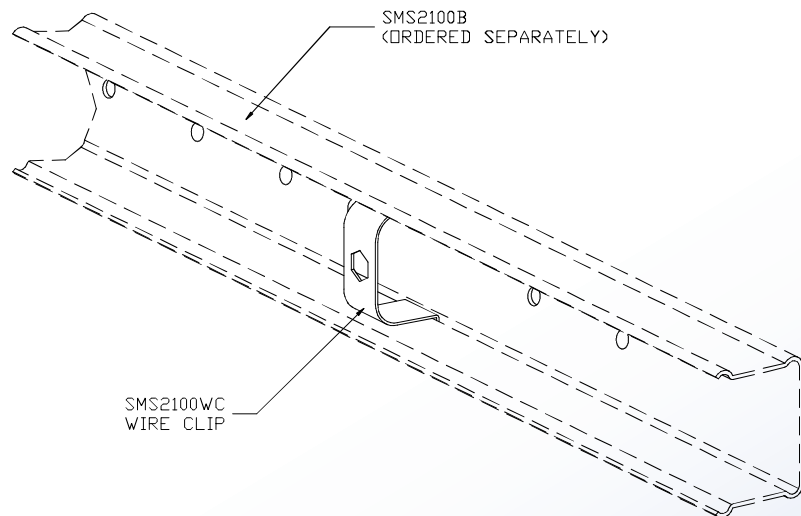
Plated Steel.



SMS2100 SERIES
STEEL RACEWAY
SECTION VIEW
STANDARD IVORY FINISH
EACH ORDERED SEPARATELY



UL LISTED
FILE: E167318



4 International Drive
Rye Brook, NY 10573
Toll Free: 1 888.764.7681
Phone: 914.934.2075
Fax: 914.934.2190
MonoSystems.com

