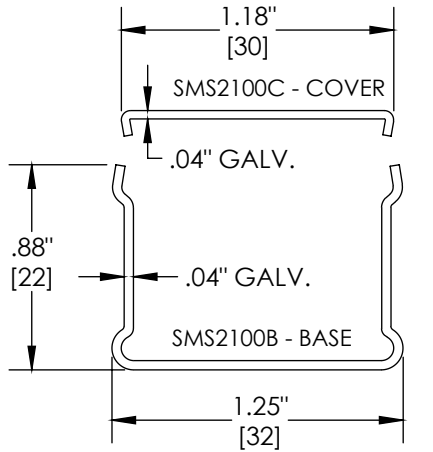


Surface Raceway / Steel SMS2100C

SnapMark™

Manufactured by MonoSystems, Inc.

COVER 5' (1.5ML) LENGTH



SMS2100 SERIES
STEEL RACEWAY
SECTION VIEW
STANDARD IVORY FINISH
EACH ORDERED SEPARATELY

Assembly Instructions

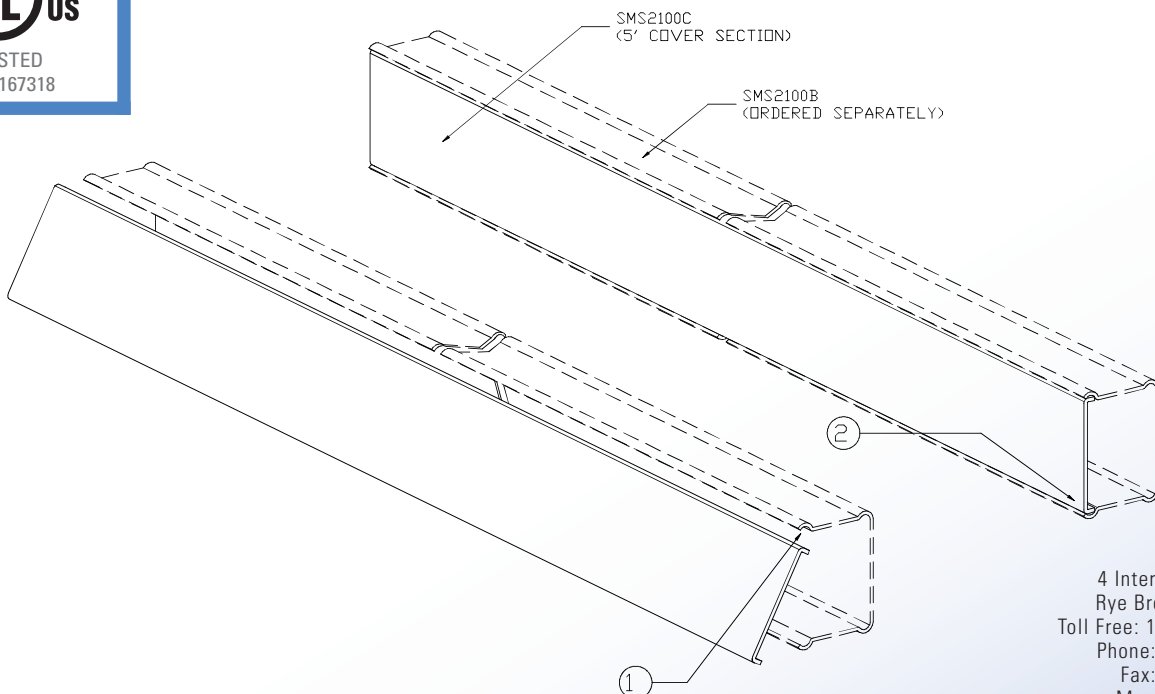
- 1.) Insert one edge of cover inside lip of SMS2100B base section.
- 2.) Firmly press cover into base section ensuring that both edges are completely snapped inside base section.

Material

Steel Standard Ivory Finish.



UL LISTED
FILE: E167318



4 International Drive
Rye Brook, NY 10573
Toll Free: 1 888.764.7681
Phone: 914.934.2075
Fax: 914.934.2190
MonoSystems.com

