

# Surface Raceway / Steel SMS2100B

SnapMark™

Manufactured by MonoSystems, Inc.

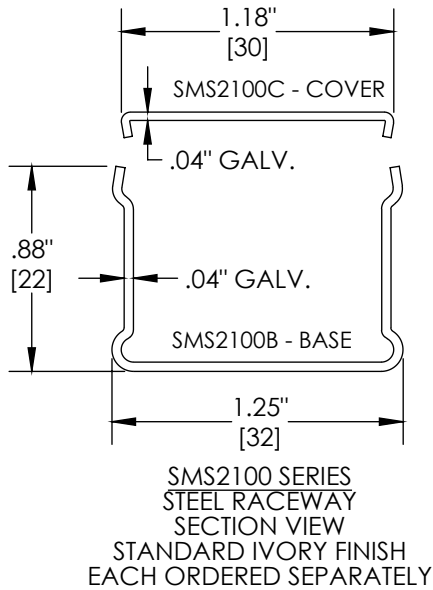
## BASE – 10' [3M] LENGTH

### Assembly Instructions

- 1.) Rigidly secure base section to structural building member or wall construction at 18" maximum mounting centers. Engineer to verify fasteners & mounting interval based on mounting surface construction (hardware by others).
- 1.) Couple adjoining raceway lengths using SMS2101 or SMS2101A couplings (ordered separately).

### Material

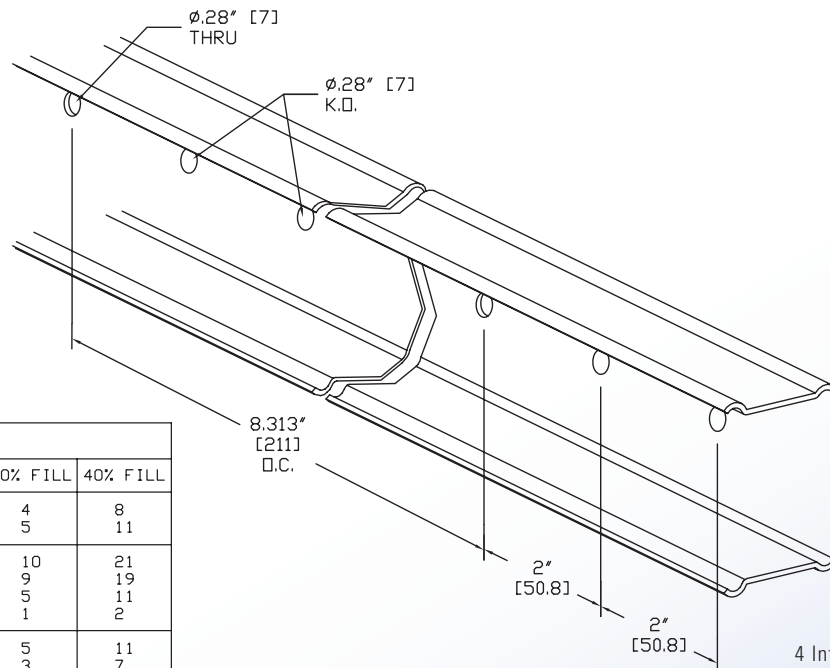
Steel Standard Ivory Finish.



UL LISTED  
FILE: E164140

POWER WIRE FILL CAPACITY	
WIRE SIZE THHN/THWN	CONDUCTORS (<40% FILL)
6 Awg	6
8 Awg	9
10 Awg	15
12 Awg	25
14 Awg	34

DATA/COMM. WIRE FILL CAPACITIES				
CABLE TYPE	CATEGORY/DESIGNATION	20% FILL	40% FILL	
UNSHIELDED TWISTED PAIR	4-PAIR, 24 AWG Cat 5 UTP	4	8	
	4-PAIR, 24 AWG Cat 3 UTP	5	11	
TELEPHONE	2-PAIR, 24 AWG	10	21	
	3-PAIR, 24 AWG	9	19	
	4-PAIR, 24 AWG	5	11	
	25-PAIR, 24 AWG	1	2	
COAXIAL	RG58/U	5	11	
	RG59/U	3	7	
	RG62/U	3	7	
	RG6/U	2	5	
TWINAXIAL	100 Ohm	1	3	
SHIELDED TWISTED PAIR	TYPE 1	1	2	
	TYPE 2	0	1	
	TYPE 3	3	7	



4 International Drive  
Rye Brook, NY 10573  
Toll Free: 1 888.764.7681  
Phone: 914.934.2075  
Fax: 914.934.2190  
MonoSystems.com

