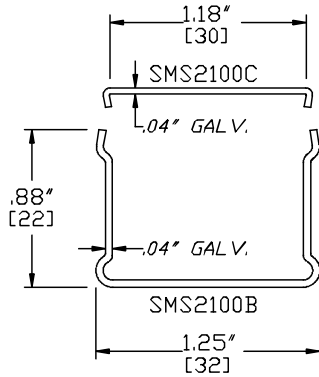


Surface Raceway / Steel SMS2051H

SnapMark™ Accessories

Manufactured by MonoSystems, Inc.

FLUSH PLATE ADAPTOR



SMS2100 SERIES
STEEL RACEWAY
SECTION VIEW
STANDARD IVORY FINISH
EACH ORDERED SEPARATELY
SCALE: NONE

A.) For extending from existing flush receptacle and switch outlets / boxes.

B.) Can accommodate horizontal or vertical raceway mounting.

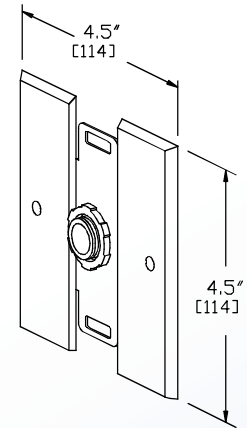
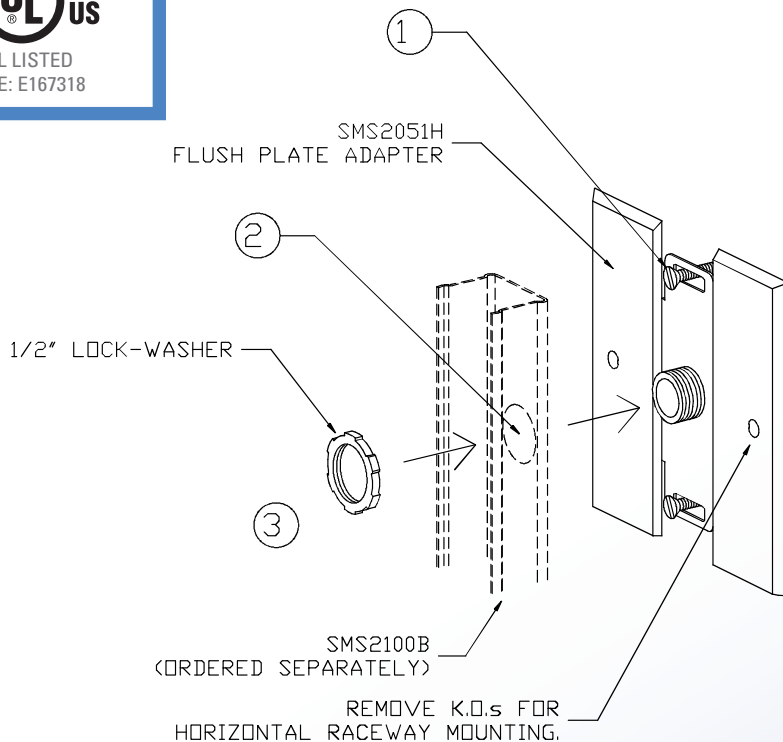
C.) Feed through capacity is 10 #12 THHN conductors.

Assembly Instructions

- 1.) Attach flush plate adaptor to existing wall outlet using provided hardware. Remove indicated K.O.s for horizontal raceway mounting.
- 2.) Punch or drill a .825" diameter hole in back surface of raceway at appropriate location.
- 3.) Attach raceway to flush plate adaptor using provided 1/2" lock-washer.
- 4.) Terminate wiring per NEC and local codes.

Material

Steel – Galv / Ivory Finish



SMS2051H
FLUSH PLATE ADAPTER

4 International Drive
Rye Brook, NY 10573
Toll Free: 1 888.764.7681
Phone: 914.934.2075
Fax: 914.934.2190
MonoSystems.com

