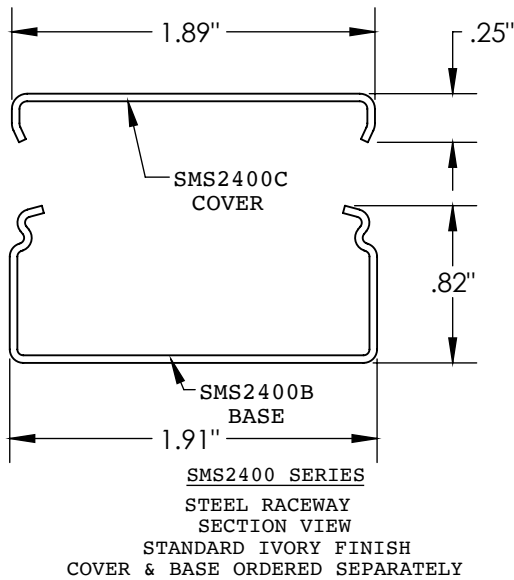


Surface Raceway / Steel SMS2410FC

SnapMark™ Fittings
Manufactured by MonoSystems, Inc.

ENTRANCE END FITTING

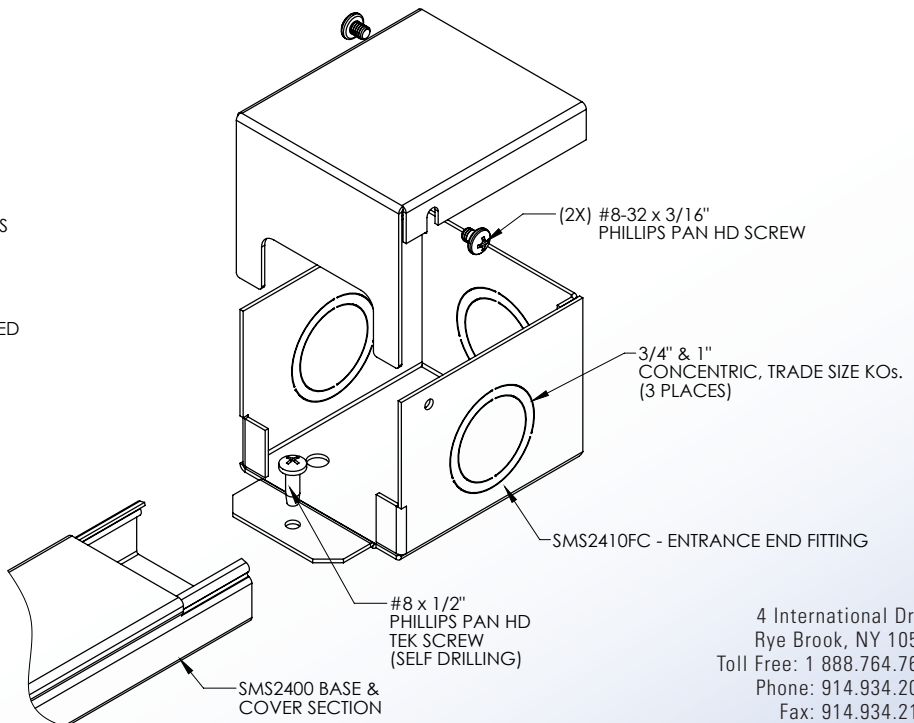
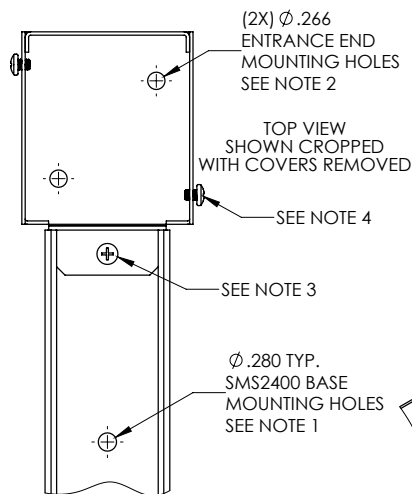


Assembly Instructions

- 1.) Place and mount raceway on mounting surface (hardware by others) in proper and intended position.
- 2.) Place entrance end at termination end of raceway and install on mounting surface (hardware by others).
- 3.) Self drill/tap entrance end to raceway using #8 x 1/2" Phillips pan head tek screw (provided).
- 4.) Enclose entrance end using cover and (2x) #8-32 x 3/16" Phillips pan head screws (provided).
- 5.) Views for reference – do not scale.



UL LISTED
FILE: E167318



4 International Drive
Rye Brook, NY 10573
Toll Free: 1 888.764.7681
Phone: 914.934.2075
Fax: 914.934.2190
MonoSystems.com

