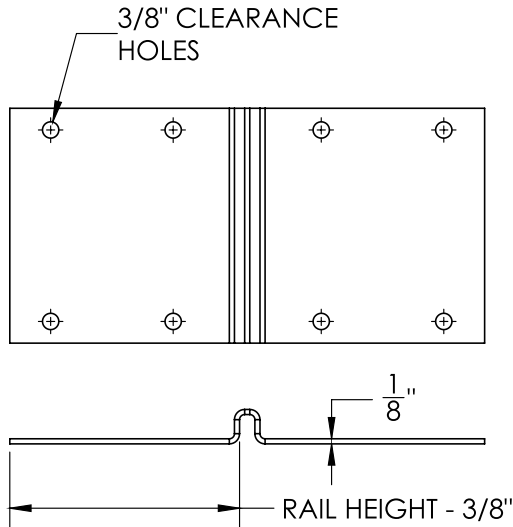


# Cable Tray / Ladder Tray AX-X010-VT-PR

PowerTray™ Accessories  
Manufactured by MonoSystems, Inc.

## VERTICAL TRANSITION FOR POWER ALUMINUM TRAY



### Notes

- 1.) Includes two vertical transition plates and 3/8" tray mounting hardware.
- 2.) To install, align plates with tray and mark hole locations. Field drill 3/8" clearance holes thru side rail. Bolt transition brackets to side rail using provided 3/8" hardware and ensure flush contact. Recommended torque for 3/8" fasteners: 35 ft-lbs [47.5 N-m].
- 3.) Views for reference - do not scale.

### ORDERING DATA EXAMPLE:

# AX-X010-VT-PR

#### TRAY MATERIAL

A = ALUMINUM

#### RAIL HEIGHT

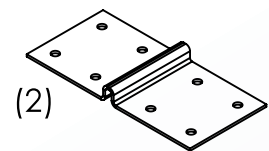
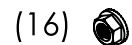
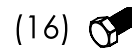
4 = 4" HIGH  
5 = 5" HIGH  
6 = 6" HIGH  
7 = 7" HIGH

#### TRAY TYPE

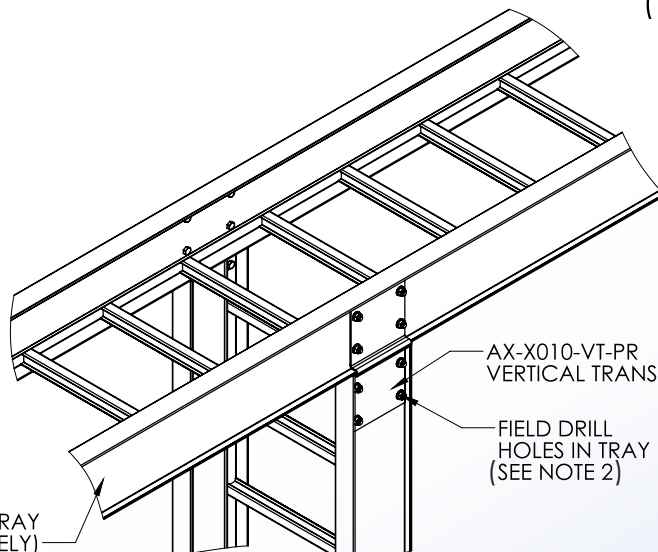
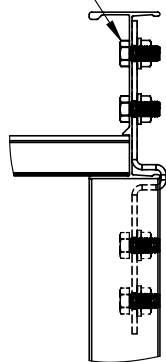
1 = LITE "L" SERIES  
2 = HEAVY B, C, D, SERIES



EACH AX-X010-VT-PR  
ORDERED INCLUDES



(16) 3/8" x 3/4" HEX BOLTS  
(16) 3/8" SERRATED FLANGED NUTS  
(PROVIDED)



ALUMINUM POWER TRAY  
(ORDERED SEPARATELY)

4 International Drive  
Rye Brook, NY 10573  
Toll Free: 1 888.764.7681  
Phone: 914.934.2075  
Fax: 914.934.2190  
MonoSystems.com

