

Cable Tray / Ladder Tray Z0-NEOPE34

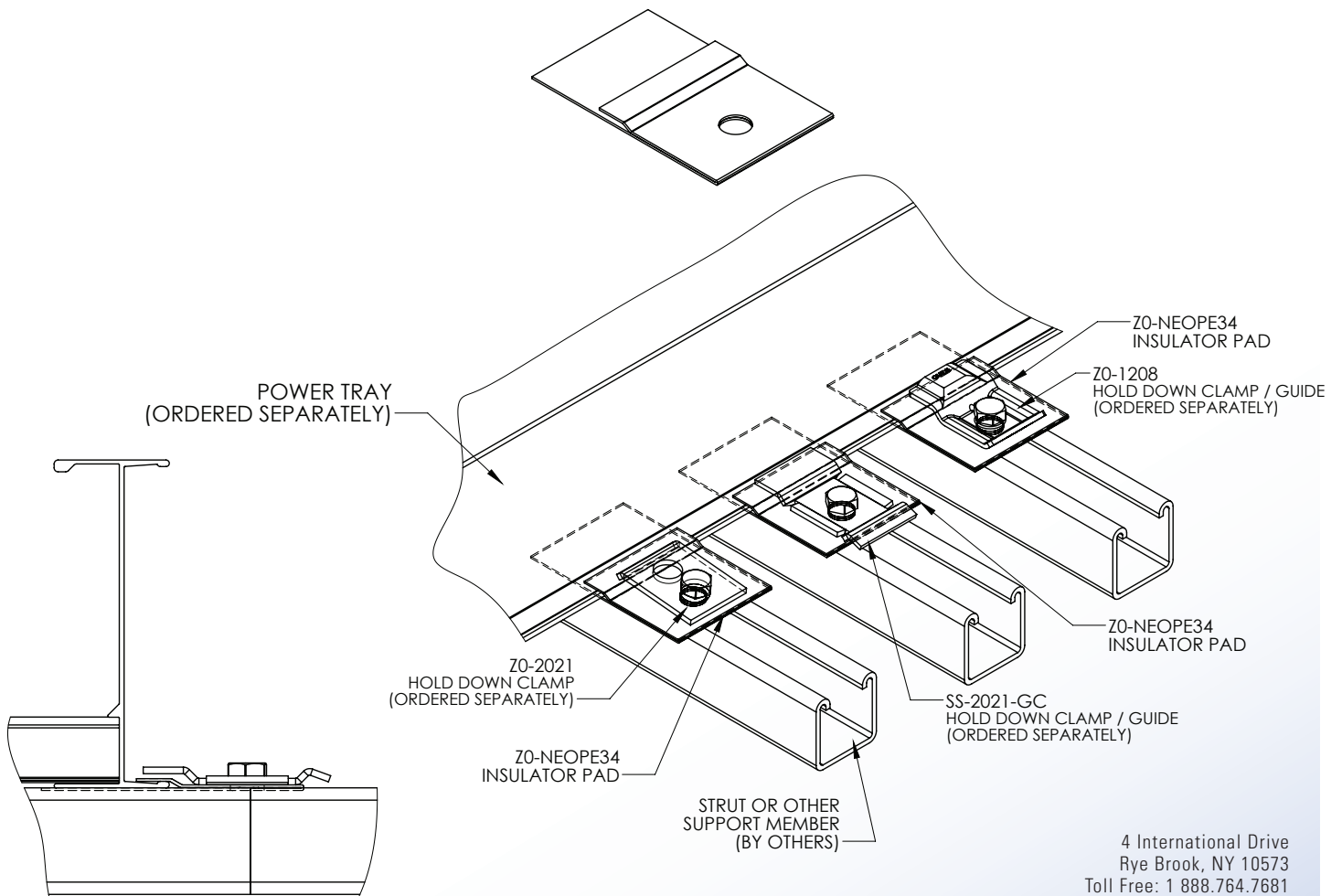
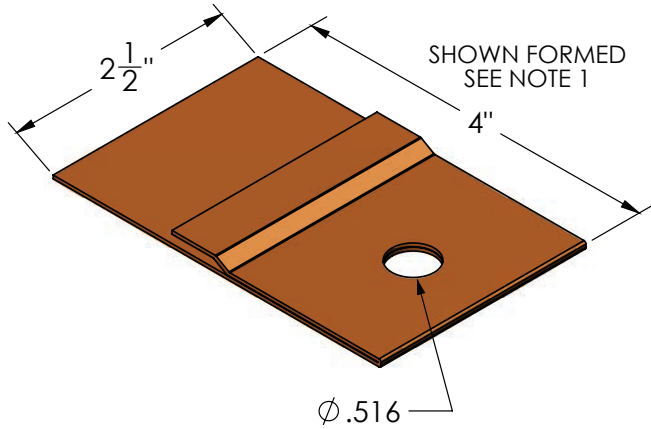
PowerTray™ Accessories
Manufactured in the USA by MonoSystems, Inc.



INSULATOR PAD

Notes

- 1.) Sold as a pair. Supplied in the flat.
- 2.) Use an insulator or friction reducer.
- 3.) Hardness rockwell R=65
- 4.) Material: 0.04" High density polyethylene (hdpe).
Weight: 0.03 lbs /each. Uv resistant.
- 5.) Do not exceed 50ft/lbs of torque on hardware used with insulator pad.
- 6.) Views for reference - do not scale.



4 International Drive
Rye Brook, NY 10573
Toll Free: 1 888.764.7681
Phone: 914.934.2075
Fax: 914.934.2190
MonoSystems.com



MonoSystems™
wire management. managed.®