

# Cable Tray / Ladder Tray Z0-B308

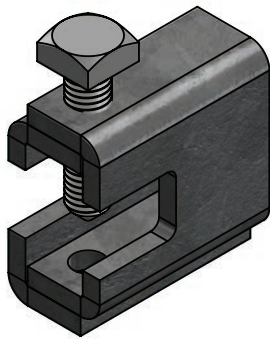
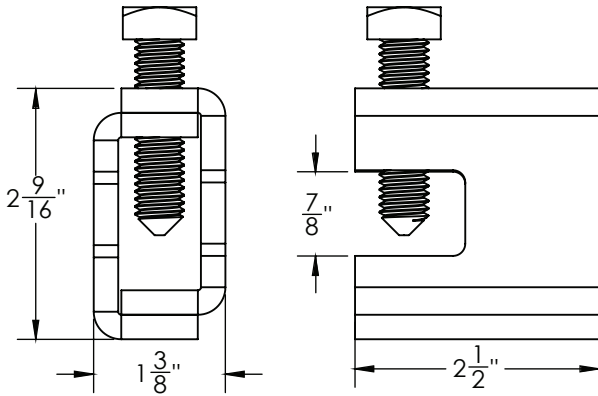
PowerTray™ Accessories  
Manufactured in the USA by MonoSystems, Inc.



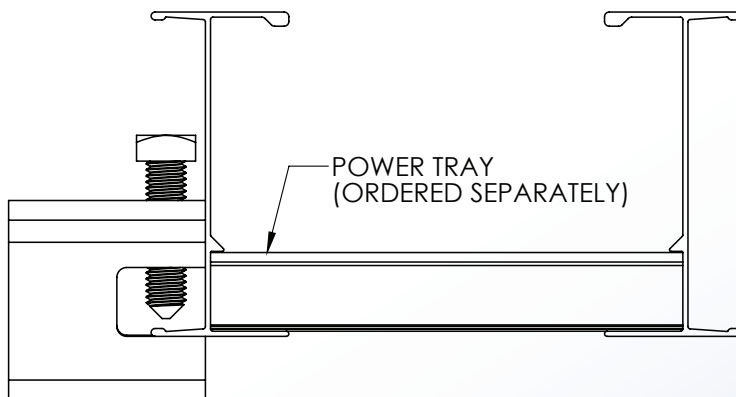
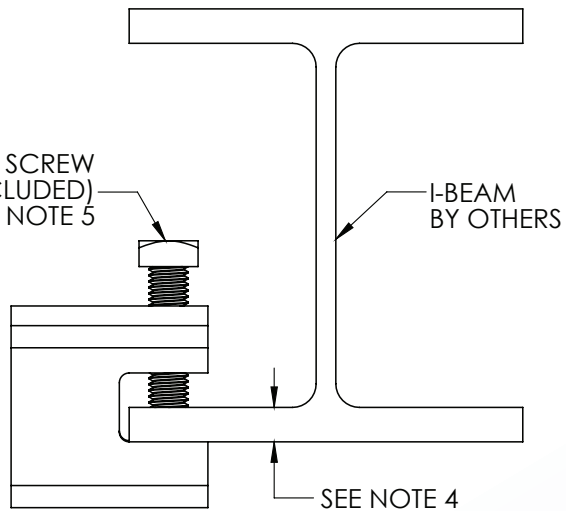
## BEAM CLAMPS

### Notes

- 1.) Ordered as each. Safety factor of 5.
- 2.) Material: 1/4" thick zinc electroplated steel or order G0-B308 for HDGAF.
- 3.) Provides support for mounting by clamping to solid support.
- 4.) Fits flanges 1/16" to 7/8" thick.
- 5.) 1/2" Set screw included, recommended torque: 350 in-lbs [39.5 Nm].
- 6.) Views for reference - do not scale.



1/2" SET SCREW  
(INCLUDED)  
SEE NOTE 5



4 International Drive  
Rye Brook, NY 10573  
Toll Free: 1 888.764.7681  
Phone: 914.934.2075  
Fax: 914.934.2190  
MonoSystems.com



**MonoSystems™**  
wire management. managed.™