

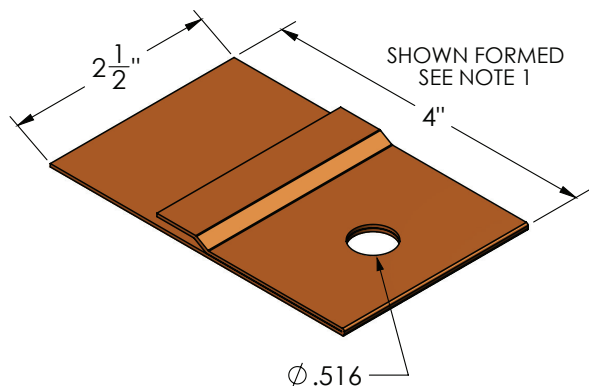
# Cable Tray / Ladder Tray

## ZO-NEOPE34

## PowerTray™ Accessories

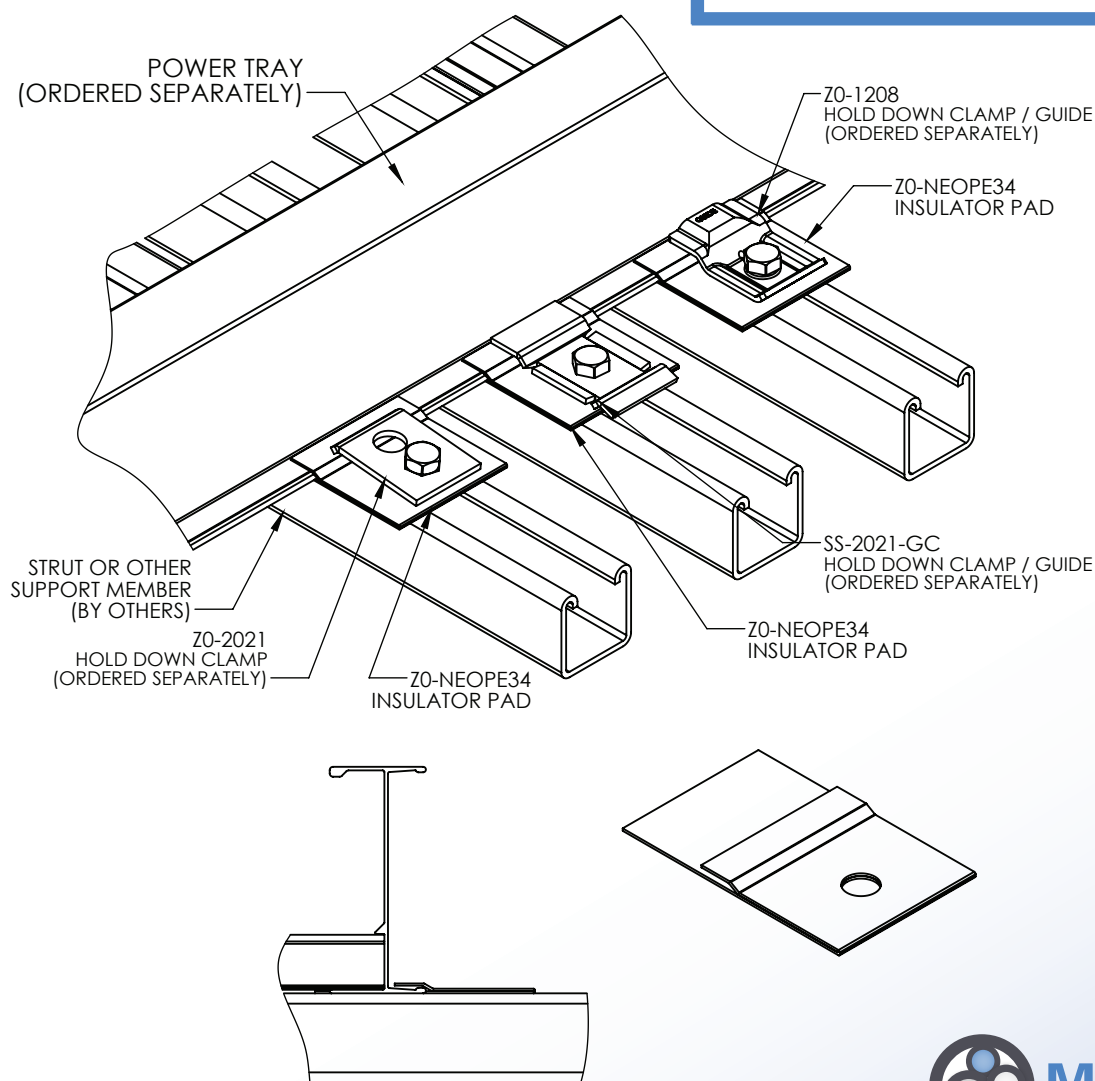
Manufactured by MonoSystems, Inc.

### INSULATOR PAD



#### Notes:

- 1.) Sold as a pair. Supplied in the flat.
- 2.) Use as an insulator or friction reducer.
- 3.) Hardness rockwell R=65
- 4.) Material: 0.04" High density polyethylene (HDPE).  
Weight: 0.03 Lbs /each. UV resistant.
- 5.) Do not exceed 50ft/lbs of torque on hardware
- 6.) Views for reference. Do not scale.



4 International Drive  
Rye Brook, NY 10573  
Toll Free: 1 888.764.7681  
Phone: 914.934.2075  
Fax: 914.934.2190  
MonoSystems.com

