

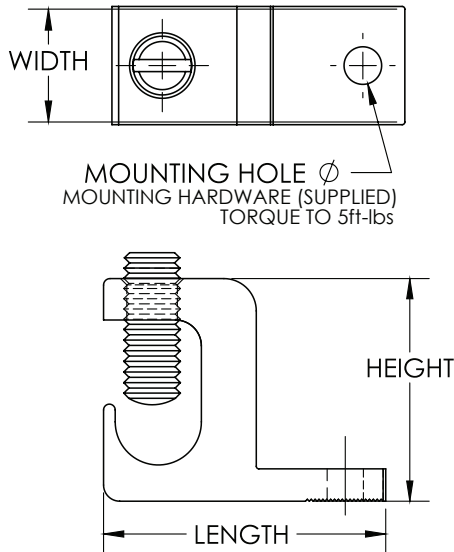
Cable Tray Z0-GC-XX

Cable Tray Accessories

Manufactured in the USA by MonoSystems, Inc.



CABLE TRAY GROUNDING CLAMP LUGS

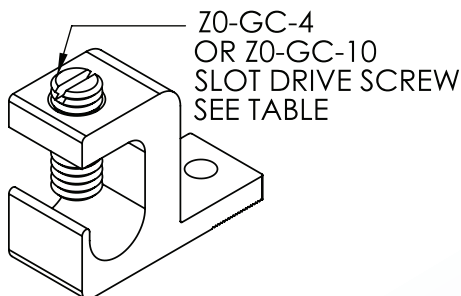
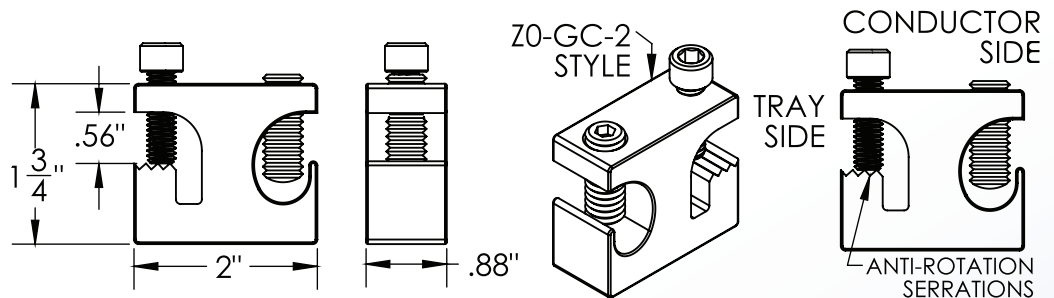
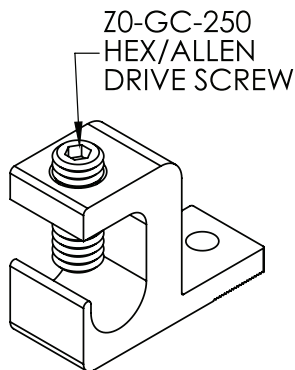


Notes:

- 1.) Sold as each.
Refer to table for product details, mounting hardware Diameter and conductor range.
- 2.) Suitable for use with copper or aluminum conductor.
- 3.) Views for reference - do not scale
Exact construction may vary depending on type selected.
- 4.) Torque value of wire grounding screw depends on conductor size.
- 5.) Clear mounting surface & remove any paint or coating (if applicable).



PART NUMBER	CONDUCTOR RANGE	MOUNTING HOLE ϕ	WIDTH	LENGTH	HEIGHT	MATERIAL	SCREW TYPE	SET SCREW SIZE
Z0-GC-4	#4 - #14AWG	ϕ .218"	0.385"	1.10"	0.80"	ELECTRO-TIN PLATED ALUMINUM	SLOT DRIVE	#10
Z0-GC-10	#1/0 - 14AWG	ϕ .281"	0.63"	1.63"	1.16"	ELECTRO-TIN PLATED ALUMINUM	SLOT DRIVE	1/4"
Z0-GC-250	250kcmil - #6AWG	ϕ .281"	0.88"	2.18"	1.72"	ELECTRO-TIN PLATED ALUMINUM	7/32" HEX	1/4"
Z0-GC-2	250kcmil - #6AWG	N/A	0.88"	2"	1.75"	ELECTRO-TIN PLATED ALUMINUM	1/4" HEX	1/4"



ORDERING DATA EXAMPLE:

Z0-GC-XX

WIRE GAUGE

- 4 = #4 - 14AWG
- 10 = #1/0 - 14AWG
- 250 = 250KCMIL - #6AWG
- 2 = 250KCMIL - #6AWG
(CABLE TRAY CLAMP MOUNT)



4 International Drive
Rye Brook, NY 10573
Toll Free: 1 888.764.7681
Phone: 914.934.2075
Fax: 914.934.2190
MonoSystems.com

MonoSystems
wire management. managed.

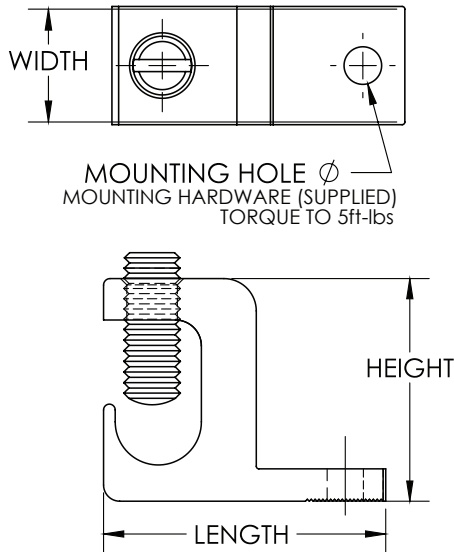
Cable Tray Z0-GC-XX

Cable Tray Accessories

Manufactured in the USA by MonoSystems, Inc.



CABLE TRAY GROUNDING CLAMP LUGS



Notes:

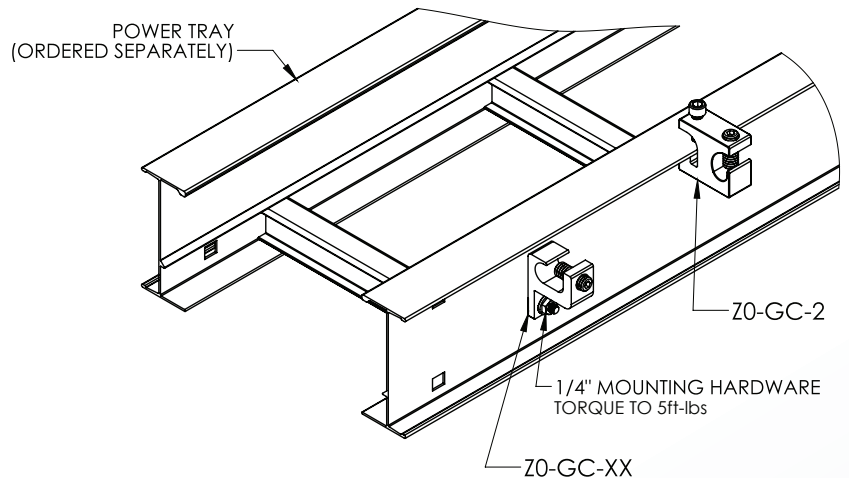
- 1.) Sold as each.
Refer to table for product details, mounting hardware Diameter and conductor range.
- 2.) Suitable for use with copper or aluminum conductor.
- 3.) Views for reference - do not scale
Exact construction may vary depending on type selected.
- 4.) Torque value of wire grounding screw depends on conductor size.
- 5.) Clear mounting surface & remove any paint or coating (if applicable).

ORDERING DATA EXAMPLE:

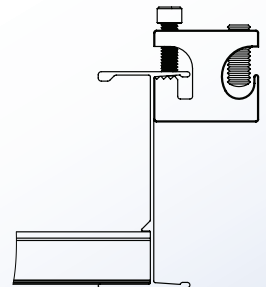
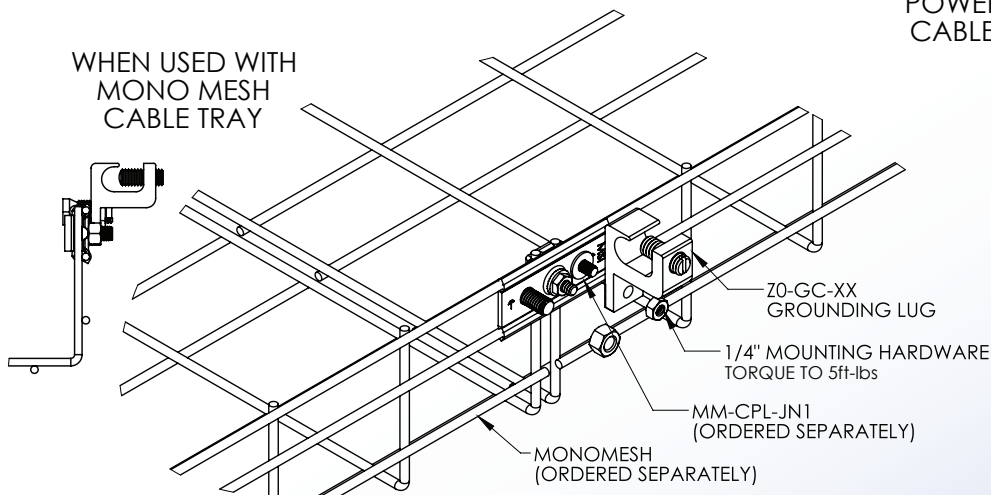
Z0-GC-XX

WIRE GAUGE

- 4 = #4 - 14AWG
- 10 = #1/0 - 14AWG
- 250 = 250KCMIL - #6AWG
- 2 = 250KCMIL - #6AWG
(CABLE TRAY CLAMP MOUNT)



WHEN USED WITH
POWER TRAY
CABLE TRAY



4 International Drive
Rye Brook, NY 10573
Toll Free: 1 888.764.7681
Phone: 914.934.2075
Fax: 914.934.2190
MonoSystems.com



MonoSystems
wire management. managed.