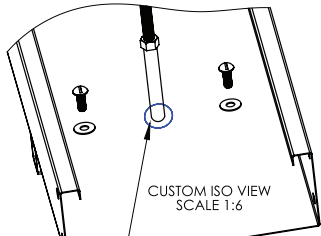


# Cable Tray / Trough Tray Z0-2030-XX

**TroughTray™ Accessories**  
Manufactured by MonoSystems, Inc.

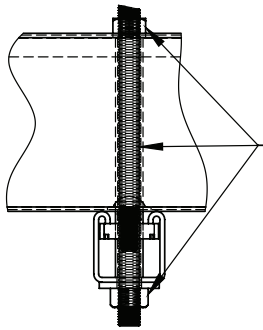


INSTALLER TO:  
FIELD DRILL  $\varnothing 3/4"$  HOLE  
IN CENTER OF TRAY FOR  
 $\varnothing 1/2"$  THREADED ROD & PIPE  
(BY OTHERS)

## TROUGH TRAY CENTER HANGER

### Notes:

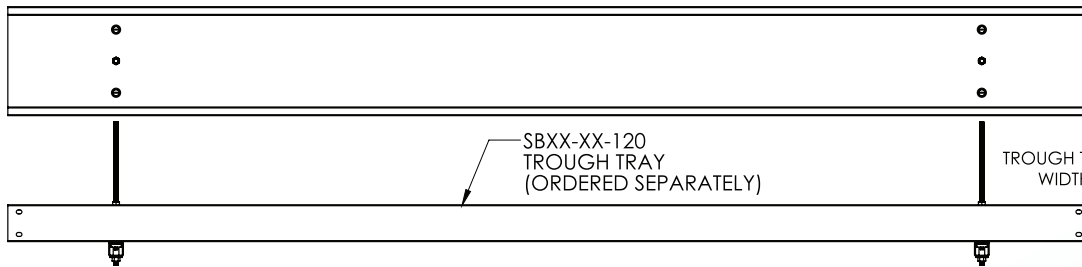
- 1.) Unless otherwise noted, drawing units are in inch.
- 2.) For customer reference and review.
- 3.) Trough Tray and 1/2" threaded rod & 1/2" hardware (ordered separately).



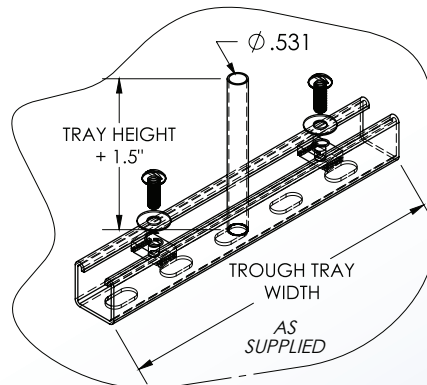
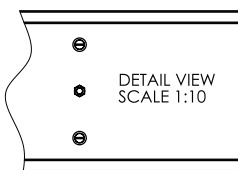
1/2" THREADED ROD  
(2X) 1/2" HEX NUT  
(1X) 1/2" WASHER  
(BY OTHERS)

SIDE DETAIL VIEW WITH  
HIDDEN LINES SHOWN  
SCALE 1:4

EACH Z0-2030-XX INCLUDES:	
QTY	DESCRIPTION
1	SLOTTED STEEL CENTER STRUT 1-5/8" X 1-5/8" X LENGTH TO MATCH WIDTH OF TRAY WITH 1/2" PROTECTIVE PIPE WELDED ABOUT CENTER
2	3/8-16 x 1" LONG SLOTTED ROUND HEAD MACHINE SCREWS
2	3/8" SPRING NUTS
2	3/8" FLAT WASHERS



FIELD DRILL HARDWARE  
CLEARANCE HOLES FOR 3/8"  
HARDWARE IN BOTTOM OF  
TRAY WHERE REQUIRED.  
FASTEN TROUGH TRAY TO  
SUPPORTS WITH PROVIDED  
HARDWARE.



TROUGH TRAY ACCESSORIES

4 International Drive  
Rye Brook, NY 10573  
Toll Free: 1 888.764.7681  
Phone: 914.934.2075  
Fax: 914.934.2190  
MonoSystems.com

