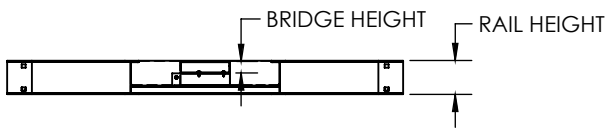
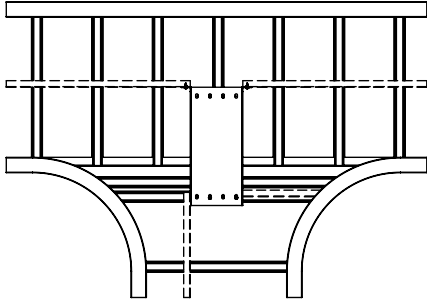


Cable Tray / Ladder Tray XXXX-CBXX

PowerTray™ Accessories
Manufactured in the USA by MonoSystems, Inc.



CROSS OVER BRIDGE WITH ELEVATION BRACKETS



Notes

- 1.) Ordered as each. Includes cross over bridge, elevation bracket, z-bracket, and mounting hardware.
- 2.) Use to bridge while maintaining divided sections and cable flow in tray.
- 3.) Straight section divider ordered separately.
- 4.) To install, mount brackets centered to bridge. Position bridge to desired location and mount z-bracket to rungs. After positioning straight divider flush with the end of the cross over bridge, mount elevation bracket tabs to straight divider. All mounted using supplied tek screws.
- 5.) Views for reference, do not scale.

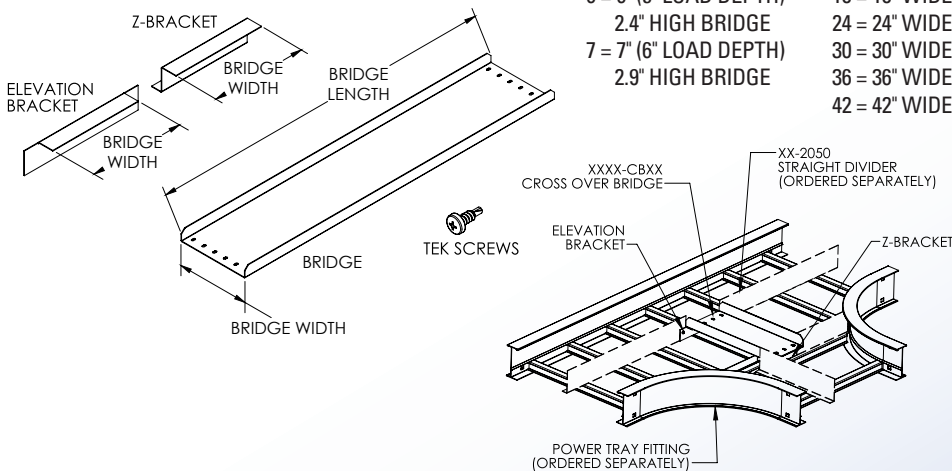


ORDERING DATA EXAMPLE:

XXXX-CBXX

MATERIAL	RAIL HEIGHT	BRIDGE WIDTH	BRIDGE LENGTH
----------	-------------	--------------	---------------

A = ALUMINUM	4 = 4" (3" LOAD DEPTH)	03 = 3" WIDE	05 = 4.5" WIDE
G = PRE-GALV STEEL	1.4" HIGH BRIDGE	06 = 6" WIDE	08 = 7.5" WIDE
P = HDGAF	5 = 5" (4" LOAD DEPTH)	09 = 9" WIDE	11 = 10.5" WIDE
	1.9" HIGH BRIDGE	12 = 12" WIDE	14 = 13.5" WIDE
	6 = 6" (5" LOAD DEPTH)	18 = 18" WIDE	17 = 16.5" WIDE
	2.4" HIGH BRIDGE	24 = 24" WIDE	20 = 19.5" WIDE
	7 = 7" (6" LOAD DEPTH)	30 = 30" WIDE	23 = 22.5" WIDE
	2.9" HIGH BRIDGE	36 = 36" WIDE	26 = 25.5" WIDE
		42 = 42" WIDE	29 = 28.5" WIDE
			32 = 31.5" WIDE
			35 = 34.5" WIDE
			38 = 37.5" WIDE
			44 = 43.5" WIDE
			50 = 49.5" WIDE
			53 = 52.5" WIDE



4 International Drive
Rye Brook, NY 10573
Toll Free: 1 888.764.7681
Phone: 914.934.2075
Fax: 914.934.2190
MonoSystems.com



MonoSystems™
wire management. managed.