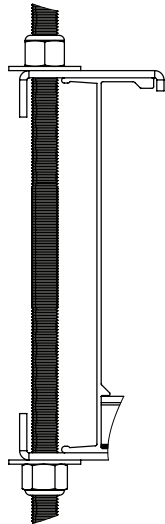


# Cable Tray / PowerTray™ XXX-021

## PowerTray™ Accessories

Manufactured by MonoSystems, Inc.

### THREADED ROD HANGER CLAMP



#### Notes:

- 1.) Ordered as a pair (2-clips provided).  
2-pairs (4-clips) required per section installation.
- 2.) Material: 10GA galv. steel.  
Mounting hardware and threaded rod by others.
- 3.) Views for reference - do not scale.



#### ORDERING DATA EXAMPLE:

**XXX-021XXX**

RAIL TYPE  
(SEE CHART)

ROD SIZE

1/2" = STANDARD  
(LEAVE BLANK)  
-375 = Ø3/8"  
-625 = Ø5/8"

#### ORDERING DATA

XXX - 021

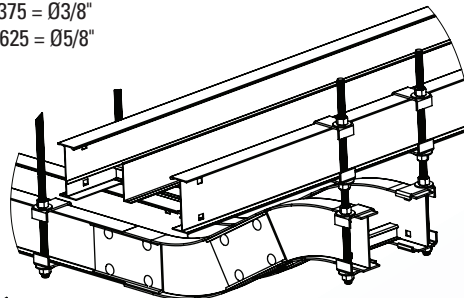
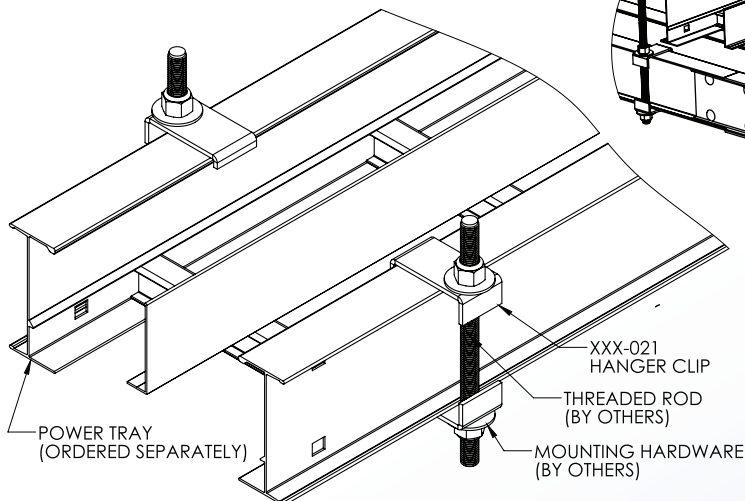
#### RAIL TYPE

##### ALUMINUM RAIL TYPES:

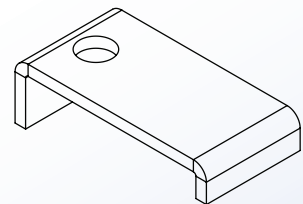
L4A L6A  
ML4A B6A  
B4A C6A  
C4A D6A  
HD6A  
L5A  
B5A L7A  
C5A C7A  
D7A  
E7A

##### STEEL RAIL TYPES:

L48P L66P  
B48P B68P  
C44P C68P  
D44P C66P  
D64P  
L56P  
B58P L76P  
C56P C78P  
D54P D76P  
E74P



ASSEMBLY VIEW  
TRAY & COMPONENTS  
SHOWN FOR REFERENCE



4 International Drive  
Rye Brook, NY 10573  
Toll Free: 1 888.764.7681  
Phone: 914.934.2075  
Fax: 914.934.2190  
MonoSystems.com

