

Cable Tray / Ladder Tray XX-X420-XX

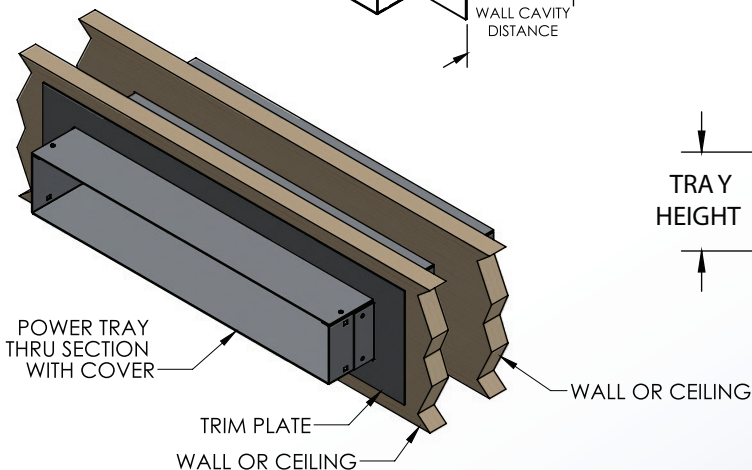
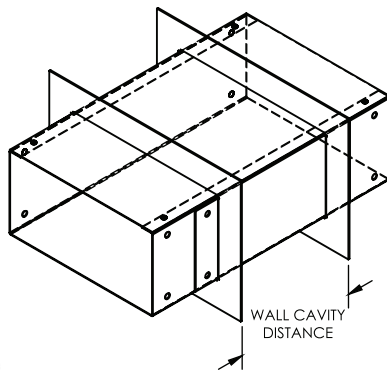
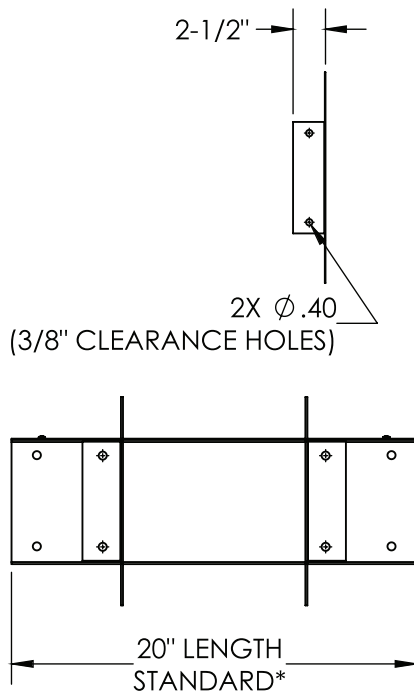
PowerTray™ Accessories
Manufactured in the USA by MonoSystems, Inc.



WALL PENETRATION SLEEVE FOR POWER TRAY

Notes

- Sold as each.
Includes: (1) 20" long solid bottom tray base and removable cover section, cover tek screws, and (2) trim plates.
- Splice connection plates and mounting hardware ordered separately.
- Eliminates the need for high cost custom fabrication.
- Views for reference - Do not scale.



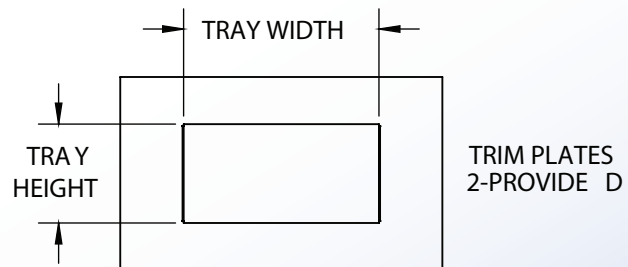
ORDERING DATA EXAMPLE:

XX - X 420 - X

MATERIAL	TRAY RAIL HEIGHT	TRAY WIDTH
A = 1/8" ALUMINUM	4 = 4" HIGH	06 = 6" WIDE
G = 16GA STEEL	5 = 5" HIGH	09 = 9" WIDE
HDGAF	6 = 6" HIGH	12 = 12" WIDE
P = 14GA STEEL	7 = 7" HIGH	18 = 18" WIDE
PRE-GALV		24 = 24" WIDE
		30 = 30" WIDE
		36 = 36" WIDE

TRAY SERIES
1 = L SERIES TRAY
2 = B, C, D, & E SERIES

* CUSTOM LENGTHS AVAILABLE
SPEAK WITH MONOSYSTEMS
TO CHOOSE



4 International Drive
Rye Brook, NY 10573
Toll Free: 1 888.764.7681
Phone: 914.934.2075
Fax: 914.934.2190
MonoSystems.com

