

Cable Tray / Ladder Tray XX-X061-XX-XX

PowerTray™ Accessories

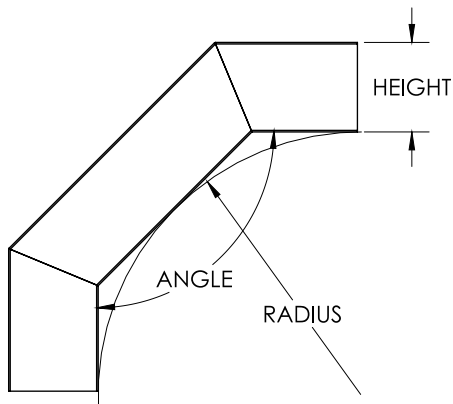
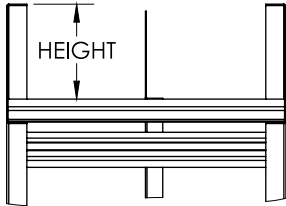
Manufactured in the USA by MonoSystems, Inc.



OUTSIDE VERTICAL RISER DIVIDER STRIP MITERED RADIUS

Notes

- 1.) Attach divider strip to outside vertical bend using #8 tek screws.
- 2.) Views for reference - do not scale.



ORDERING DATA EXAMPLE:

X X - X 061 - XX - XX

MATERIAL

HEIGHT

SERIES

RADIUS

ANGLE

A = ALUMINUM

4 = 4" (3" DEPTH)

1 = "L" LITE SERIES

12 = 12"

30

P = PRE-GALV STEEL

5 = 5" (4" DEPTH)

2 = B,C,D SERIES

18 = 18"

45

G = HDGAF STEEL

6 = 6" (5" DEPTH)

24 = 24"

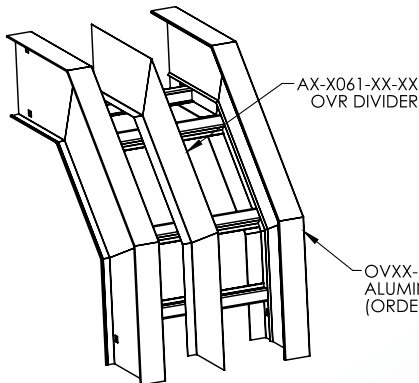
60

7 = 7" (6" DEPTH)

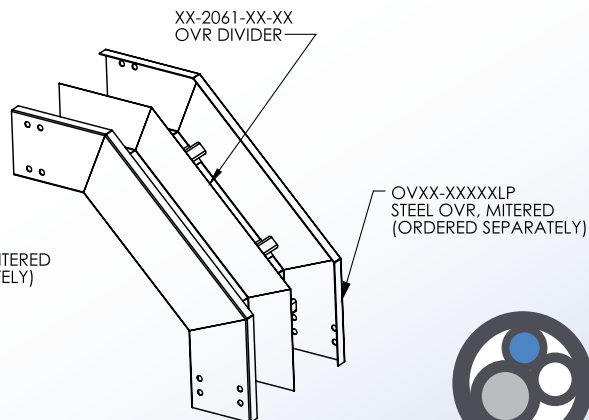
36 = 36"

90

48 = 48"



OVXX-XXXXXLA
ALUMINUM OVR, MITERED
(ORDERED SEPARATELY)



4 International Drive
Rye Brook, NY 10573
Toll Free: 1 888.764.7681
Phone: 914.934.2075
Fax: 914.934.2190
MonoSystems.com



MonoSystems
wire management. managed.